

1. SPECIFICATION

AK-1006A-1W

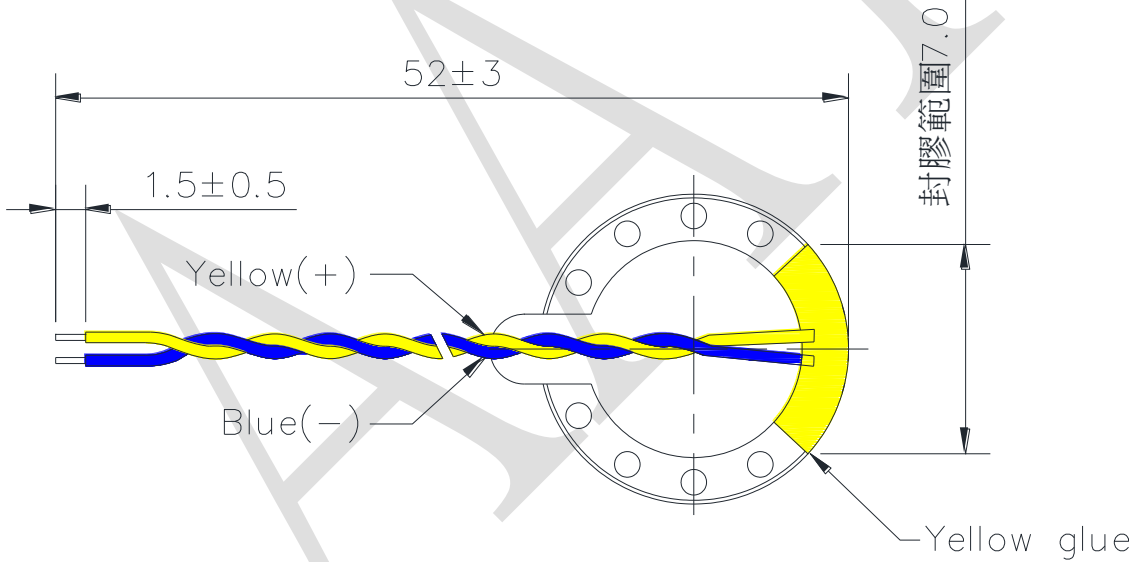
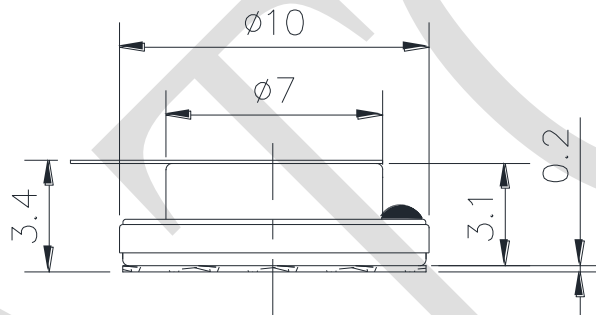
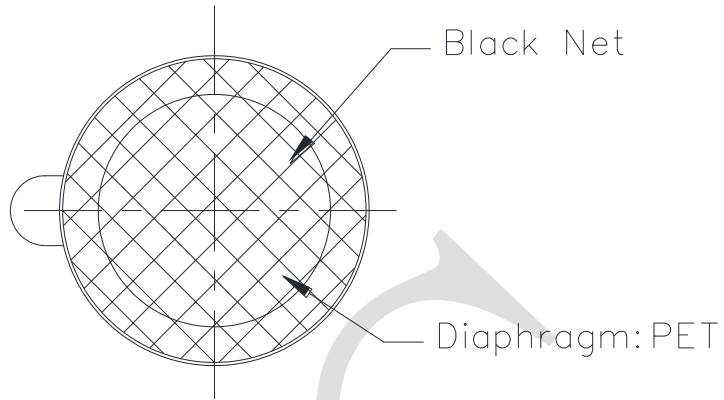
ITEM		SPECIFICATIONS	
01	Type	Dynamic speaker	
02	Dimension	External diameter 10 mm	
03	Rated Input Power	0.3 W	
04	Max. Input Power	0.5 W for 1 minute	
05	Impedance	$6\Omega \pm 15\%$ at 2.0KHz 1V	
06	Resonance Frequency (Fo)	1200 Hz \pm 20% at Fo, 1V	
07	Sensitivity (S.P.L.)	81 dB(0.1W/0.1M) \pm 3 dB	at AVE 1.2, 1.5,1.8,2.0KHz.
		85 dB(0.3W/0.1M) \pm 3 dB	
08	Frequency Range	Fo – 7 K Hz	
09	Total Harmonics Distortion	Max 10 % at 1 KHz, 1.34V.	

REV NO.

REVISION NOTE

APPROVAL

DATE



Wire: UL3302,AWG32#

RoHS

TITLE: DYNAMIC SPEAKER		DRAWN: Zak	2021/01/12	SCALE: 2:1	SHEET: 1:1
PART NO. AK-1006A-1W		DESIGNED: R&D OF AAT		UNITS: mm	TOLERANCE ± 0.5
DWG NO. CA-K13090901		CHECKED:		FIRST ANGLE PROJECTION 	
REV 2		APPROVAL:			
		MATERIAL: SPCC			



ADVANCED ACOUSTIC TECHNOLOGY CORPORATION

For more information, please contact AATC

AATC