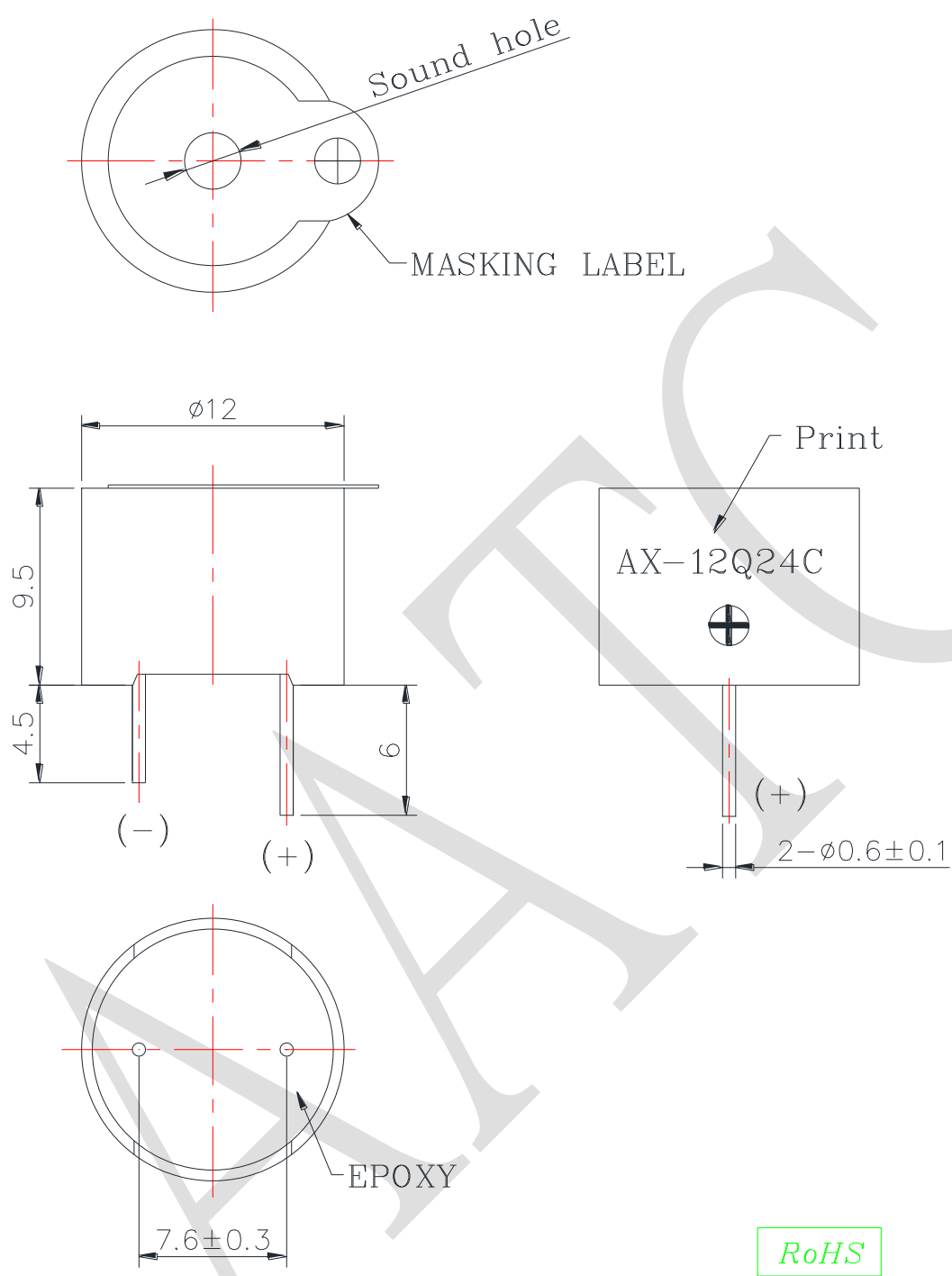


1. SPECIFICATION

AX-12Q24C

ITEM		UNITS	SPECIFICATIONS	CONDITIONS
01	Rated Voltage	V	24	
02	Operating Voltage	V	20 ~ 28	
03	Consumption Current	mA (Max)	30	Rated Voltage
04	Resonant Frequency	Hz	2600 ± 200	Rated Voltage
05	Response times	ms	≥ 100	
06	Sound pressure level	dB(A) Min.	85	Distance at 10cm Rated Voltage / Resonant Frequency
07	Operating Temp.	°C	-30 ~ +70	
08	Storage Temp.	°C	-40 ~ +85	
09	Weight	g	2	

REV NO.	REVISION NOTE	APPROVAL	DATE
---------	---------------	----------	------



TITLE: ELECTRO MAGNETIC INDICATOR		DRAWN: Zack	2020/08/27	SCALE: 4:1	SHEET: 1 of 1
PART NO. AX-12Q24C		DESIGNED: R&D OF AAT	UNITS: mm		TOLERANCE ± 0.5
DWG NO. ****_*****		CHECKED:	FIRST ANGLE PROJECTION		
		APPROVAL:			
REV 1		MATERIAL: PBT			



ADVANCED ACOUSTIC TECHNOLOGY CORPORATION

For more information, please contact AATC.

AATC