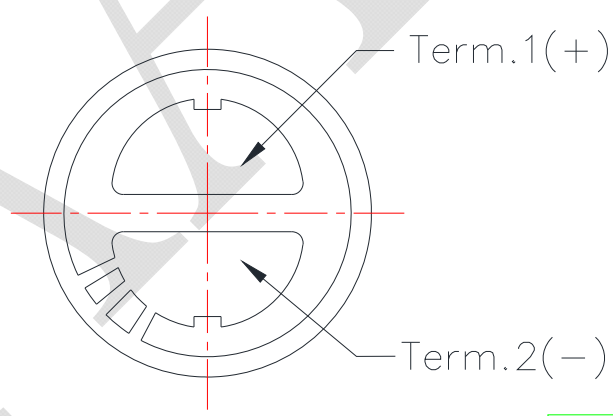
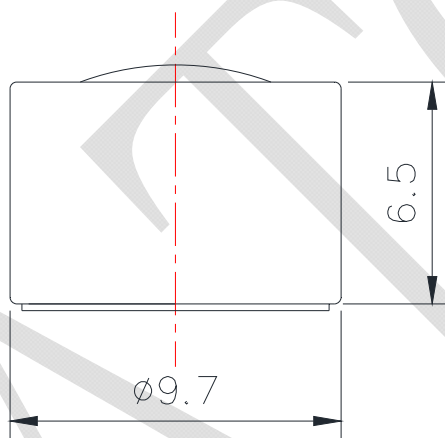
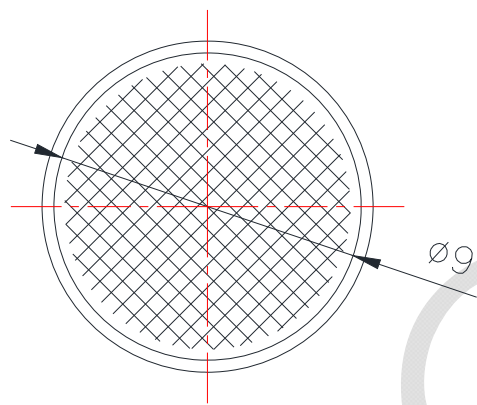


## 1. SPECIFICATIONS

AMF-O97A40-NA1

01	Sensitivity	-40±3dB (0dB=1V/Pa,1KHz)
02	Standard Operation Voltage	4.5 V
03	Output Impedance	2.2 KΩ
04	Directivity	Omni directional
05	Frequency Range	100 - 10K Hz
06	Max. Operation Voltage	10V
07	Current Consumption	Max.0.5mA
08	Sensitivity Reduction	Within -3dB 0dB=1V/Pa,1KHz Vs=4.5to 4.0V
09	S/N Ratio	≥58dB
10	Sound Pressure Level	110 dB
11	Operating Temperature	-20~+60°C
12	Storage Temperature	-25~+70°C

REV NO.	REVISION NOTE	APPROVAL	DATE
---------	---------------	----------	------



RoHS

TITLE: <i>MICROPHONE</i>	DRAWN: <i>JOYEN</i> 2007/07/30	SCALE: 5:1	SHEET: 1 of 1
PART NO. <i>AMF-097A40-NA1</i>	1	DESIGNED: R & D OF AAT	UNITS: mm
DWG NO. <i>DTM-1283</i>		CHECKED:	TOLERANCE $\pm 0.3$
REV	APPROVAL:	FIRST ANGLE PROJECTION	
	MATERIAL: AL		



ADVANCED ACOUSTIC TECHNOLOGY CORPORATION

For more information, please contact AATC

AATC