

1. SPECIFICATIONS

AMF-O97L47-NA-LF

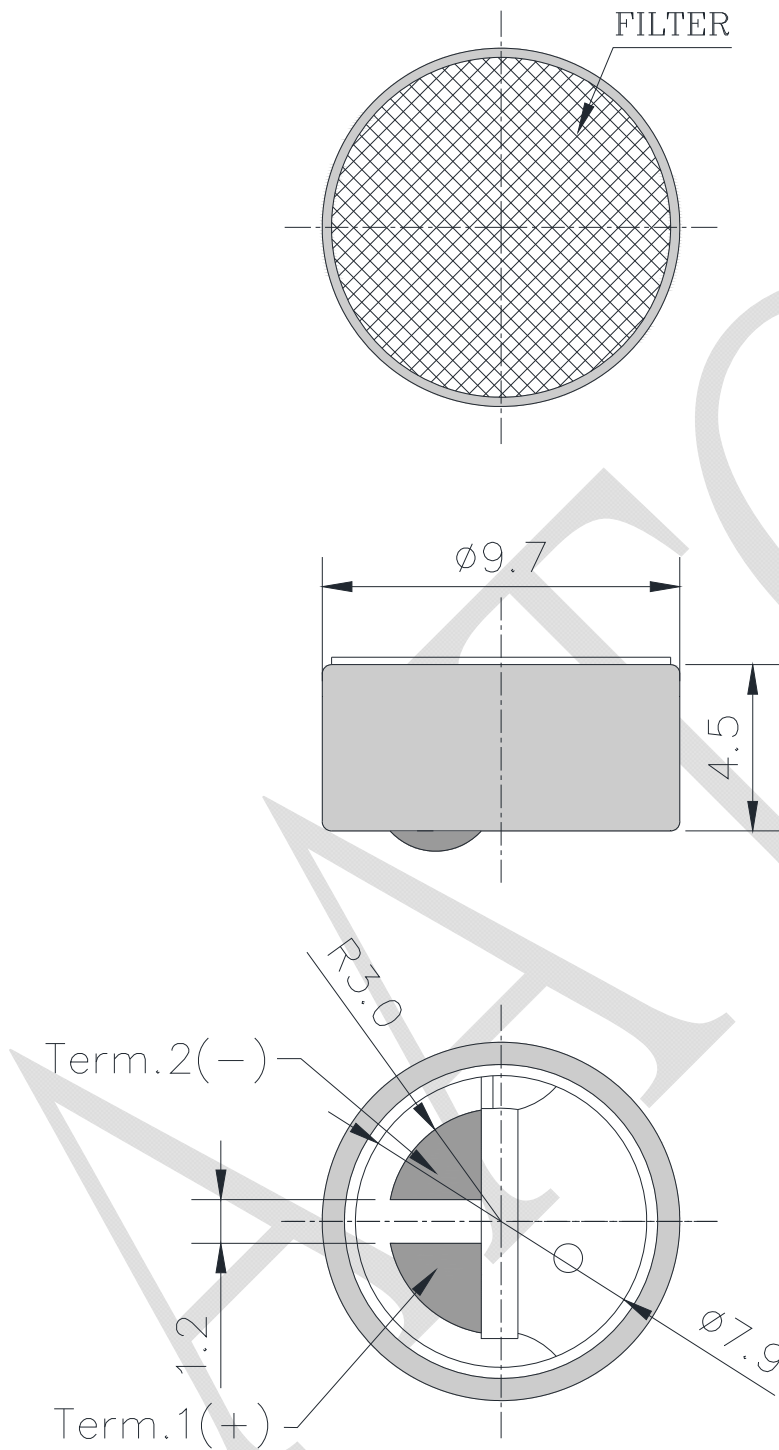
01	Sensitivity	-47±3dB (0dB=1V/Pa,1KHz)
02	Standard Operation Voltage	1.5 V
03	Output Impedance	680 Ω
04	Directivity	Omni directional
05	Frequency Range	100 - 10K Hz
06	Max. Operation Voltage	10V
07	Current Consumption	Max.0.5mA
08	Sensitivity Reduction	Within -3dB 0dB=1V/Pa,1KHz Vs=1.5 to 1.0V
09	S/N Ratio	≥58dB
10	Sound Pressure Level	110 dB
11	Operating Temperature	-20~+60°C
12	Storage Temperature	-25~+70°C

REV NO.

REVISION NOTE

APPROVAL

DATE



RoHS

TITLE: MICROPHONE		DRAWN: Zack	2021/01/13	SCALE: 5:1	SHEET: 1 of 1
PART NO. AMF-097L47-NA-LF		DESIGNED: R & D OF AAT	UNITS: mm		
DWG NO. ****_*****	2	CHECKED:	TOLERANCE ± 0.3		
		APPROVAL:	FIRST ANGLE PROJECTION		
REV		MATERIAL: AL			



ADVANCED ACOUSTIC TECHNOLOGY CORPORATION

For more information, please contact AATC.

AATC