

1. SPECIFICATION

AI-1003-CD-2P

ITEM		UNITS	SPECIFICATIONS	CONDITIONS
01	Rated Voltage	V	3	
02	Operating Voltage	V	2 ~ 5	
03	Mean consumption Current	mA Max.	30	
04	Resonant Frequency	Hz	2700 ± 300	
05	Response times	ms	≥ 100	
06	Sound pressure level	dB(A)	Min. 80	

Rated Voltage, Distance at 10cm

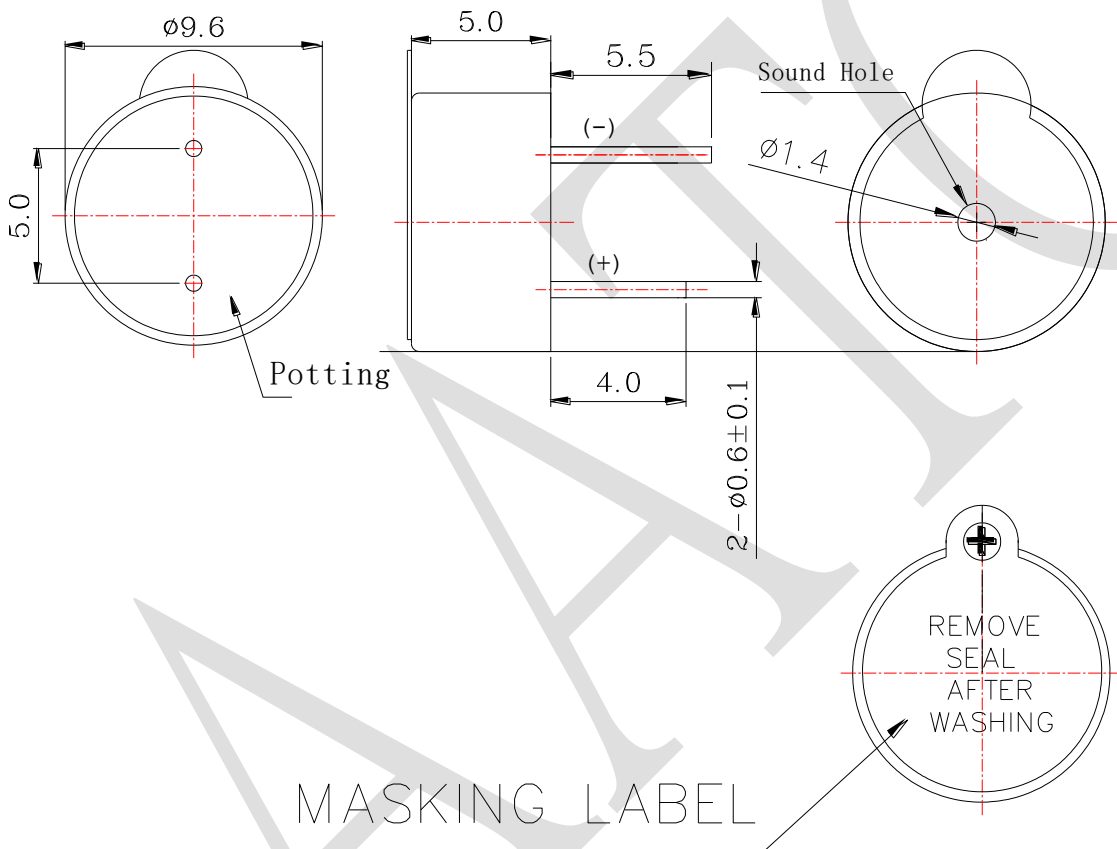
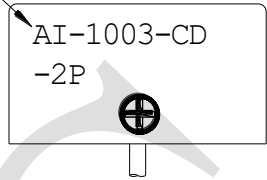
REV NO.

REVISION NOTE

APPROVAL

DATE

Laser



RoHS

TITLE: ELECTRO MAGNETIC BUZZER		DRAWN: Moose	2017/10/24	SCALE: 4:1	SHEET: 1 of 1
PART NO. AI-1003-CD-2P		DESIGNED: R&D OF AAT		UNITS: mm	TOLERANCE ± 0.5
DWG NO. *****		CHECKED:		UNLESS OTHERWISE SPECIFIED	
		APPROVAL:		ONE PLACE DECIMAL \pm ***	
REV 1		MATERIAL: PBT		TWO PLACE DECIMAL \pm ***	
				THREE PLACE DECIMAL \pm ***	



ADVANCED ACOUSTIC TECHNOLOGY CORPORATION

For more information, please contact AATC.

AATC