
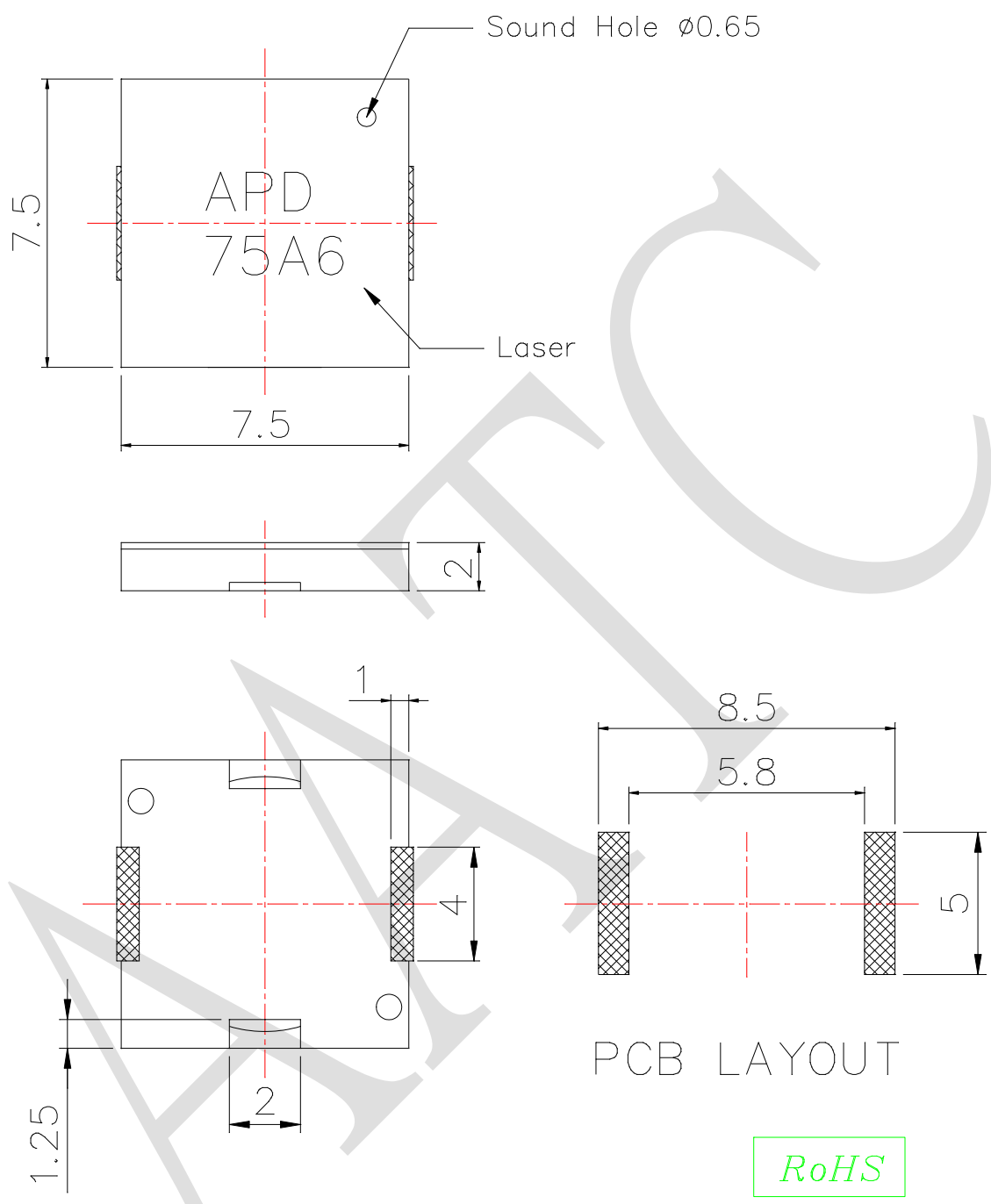


1. SPECIFICATION

APD-75A6

ITEM		UNITS	SPECIFICATIONS	CONDITIONS
01	Rated Voltage	V	3	 <p>Square wave 1/2 duty.</p>
02	Operating Voltage	V	1 ~ 25	
03	Consumption Current	mA (Max)	1	
04	Sound pressure level (Distance at 10cm)	dB(A) (Min)	65	Rated voltage, rated frequency.
05	Capacitance	pF	6000±30%	At 1.0 KHz
06	Rated Frequency	Hz	6000	
07	Operating Temp.	°C	-40 ~ +85	
08	Storage Temp.	°C	-40 ~ +85	
09	Weight	g	0.2	
10	Housing Material		LCP	

REV NO.	REVISION NOTE	APPROVAL	DATE
---------	---------------	----------	------



TITLE: SMD PIEZO BUZZER		DRAWN: SUNNY 2019-8-16	SCALE: 2:1	SHEET: 1 of 1
PART NO. APD-75A6		DESIGNED: R&D OF AAT	UNITS: mm	
DWG NO. UGPT07A6003P		CHECKED:	TOLERANCE ± 0.5	
		APPROVAL:	UNLESS OTHERWISE SPECIFIED: ONE PLACE DECIMAL \pm *** TWO PLACE DECIMAL \pm *** THREE PLACE DECIMAL \pm ***	
REV	1	MATERIAL: LCP		



ADVANCED ACOUSTIC TECHNOLOGY CORPORATION

For more information, please contact AATC.

AATC