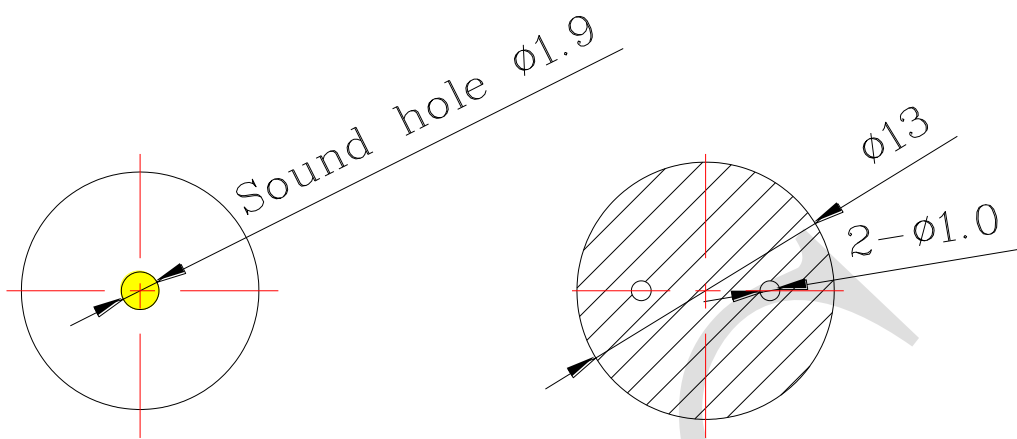


## 1. SPECIFICATION

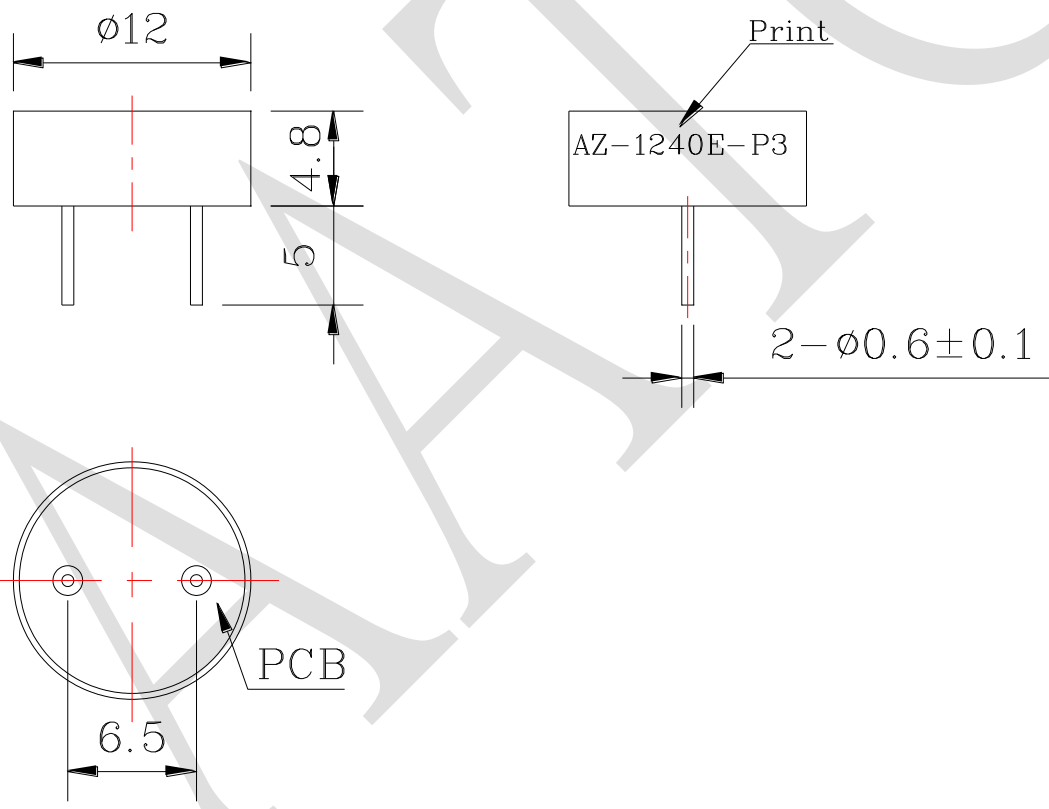
AZ-1240E-P3

ITEM		UNITS	SPECIFICATIONS	CONDITIONS
01	Rated Voltage	V	5	Vp-p (Square Wave) 1/2 duty
02	Operating Voltage	V	1~ 25	
03	Rated Current	mA(Max)	3	Rated Voltage
04	Sound pressure level (Distance at 10cm )	dBA(Min)	75	Rated Voltage Rated Frequency
05	Resonant Frequency	Hz	4000± 300	Rated Voltage
06	Capacitance	pF	12000±30%	At 120Hz
07	Operating Temp.	°C	-20 ~ +70	
08	Storage Temp.	°C	-30 ~ +80	
09	Weight	g	0.4	

REV NO.	REVISION NOTE	APPROVAL	DATE
---------	---------------	----------	------



RECOMMEND PCB LAYOUT



RoHS

TITLE: <i>PIEZO BUZZER</i>		DRAWN: <b>Jerry</b> 2013/07/01	SCALE: 2:1	SHEET: 1:1
PART NO. <i>AZ-1240E-P3</i>	1 REV	DESIGNED: <i>R&amp;D OF AAT</i>	UNITS: <i>mm</i>	
DWG NO. <i>BP1248-40</i>		CHECKED:	TOLERANCE ± 0.5	
		APPROVAL:	UNLESS OTHERWISE SPECIFIED: ONE PLACE DECIMAL ± *** TWO PLACE DECIMAL ± *** THREE PLACE DECIMAL ± ***	
		MATERIAL: <i>PPO</i>		



**ADVANCED ACOUSTIC TECHNOLOGY CORPORATION**

For more information, please contact AATC.

AATC