


# 1. SPECIFICATION

AC-1003G-RP

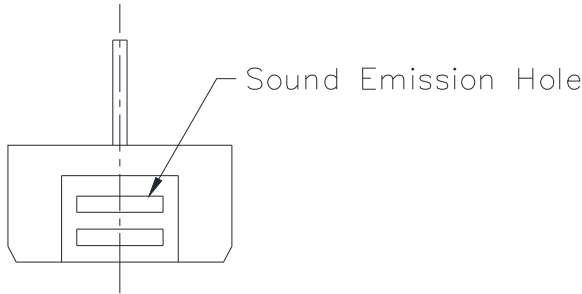
ITEM		UNITS	SPECIFICATIONS	CONDITIONS
01	Rated Voltage	V	3	
02	Operating Voltage	V	2 ~ 4	
03	Consumption Current	mA Max.	50	Standard state, standard drive circuit. Square wave 1/2 duty.
04	Sound pressure level (Distance at 10cm )	dB(A) Min.	85	Rated voltage, rated frequency.
05	Direct Current Resistance	$\Omega$	$40 \pm 6$	
06	Rated Frequency	Hz	2730	
07	Operating Temp.	$^{\circ}\text{C}$	-30 ~ +70	
08	Storage Temp.	$^{\circ}\text{C}$	-40 ~ +85	
09	Weight	g	1	

REV NO.

REVISION NOTE

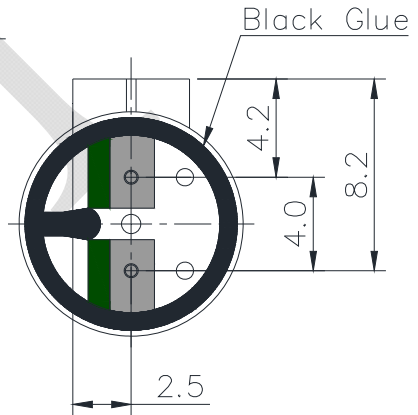
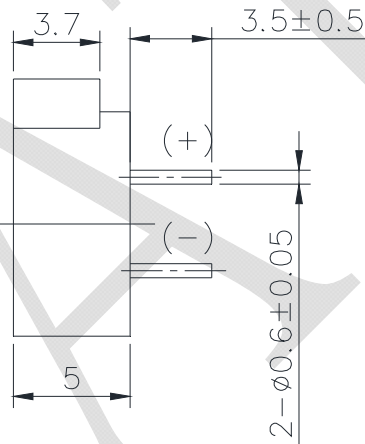
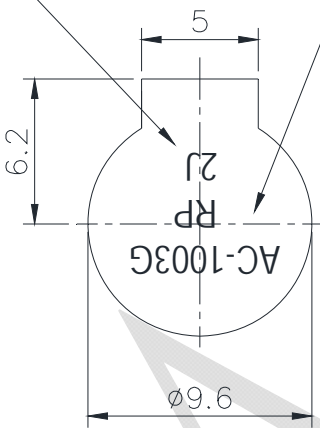
APPROVAL

DATE



DATE CODE  
2 : YEAR  
J : MONTH

Print  
AC-1003G  
RP  
2J



RoHS

TITLE: ELECTRO MAGNETIC TRANSDUCER		DRAWN: <i>Zack</i> 2020/10/13	SCALE: 4:1	SHEET: 1 of 1
PART NO. AC-1003G-RP		DESIGNED: R&D OF AAT	UNITS: mm	
DWG NO. UGCM0903B2P3.5DR40	7 REV	CHECKED:	TOLERANCE ± 0.5	
		APPROVAL:	FIRST ANGLE PROJECTION	
		MATERIAL: NORYL		



ADVANCED ACOUSTIC TECHNOLOGY CORPORATION

For more information, please contact AATC.

AATC