

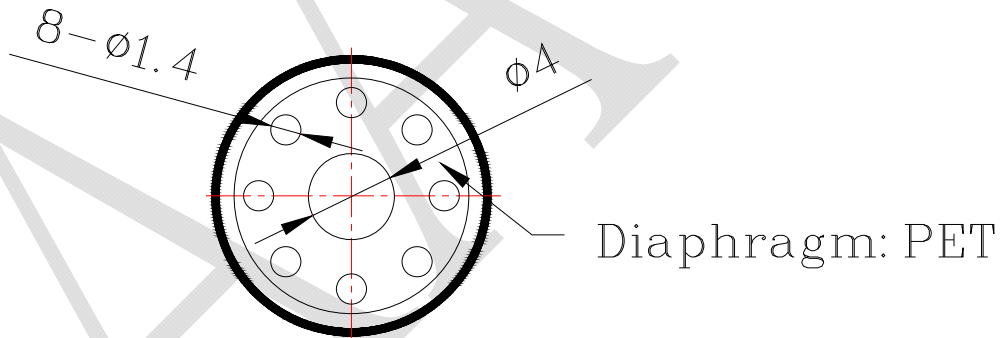
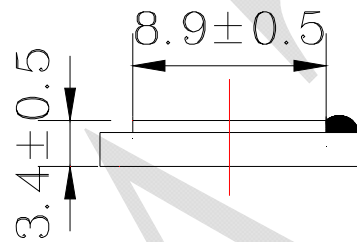
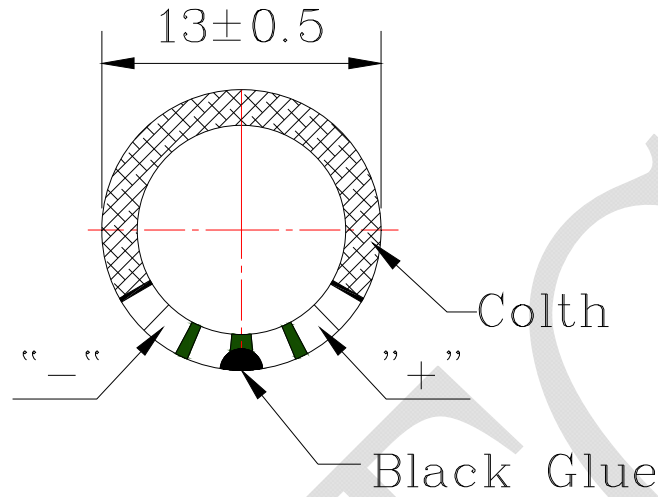
1. SPECIFICATION

AK-131605-PM-1

ITEM		SPECIFICATIONS	
01	Type	Dynamic speaker	
02	Dimension	External diameter 13 mm	
03	Rated Input Power	0.5W	
04	Max. Input Power	1.0W for 1 minute	
05	Impedance	16Ω ± 15% at 1KHz 1V	
06	Resonance Frequency (Fo)	1300 Hz ± 20% at Fo	
07	Sound pressure level	90dB(0.5W/0.1M) ± 3 dB	at AVE 1.0, 1.3,1.5,1.7 KHz.
08	Frequency Range	Fo – 20 K Hz	
09	Total Harmonics Distortion	Max 20 % at 2KHz, 0.1W.	
11	Magnet	Rare earth permanent ((Nd-Fe-B) magnet Φ7.2X 1.2mm	
12	Weight	1.1g ±0.3 g	
13	Appearance	Should not exist any obstacle to be harmful to normal operation; damages, cracks, rusts and distortions, etc.	
14	Operation Test	Must be normal at program source0.5 W	
15	Buzz, Rattle, etc.	Should not be audible at 2.83V sine wave between Fo to 2KHz	
16	Polarity	When positive voltage is applied to the terminal marked (+), diaphragm should move to the front.	
17	Terminal Strength	Capable of withstand 1kg load for 15 seconds without resulting in any damage or rejection.	
18	Temperature	Operating temperature: -20°C to +60°C Storage temperature: -30°C to +70°C	

RoHS

REV NO.	REVISION NOTE	APPROVAL	DATE
---------	---------------	----------	------



RoHS

TITLE: DYNAMIC SPEAKER		DRAWN: <i>Moose</i> 2017/01/10	SCALE: 2:1	SHEET: 1:1
PART NO. AK-131605-PM-1		DESIGNED: R&D OF AAT	UNITS: mm	
DWG NO. CXS13034-R16W0.5-B		CHECKED:	TOLERANCE ± 0.5	
		APPROVAL:	UNLESS OTHERWISE SPECIFIED:	
REV	1	MATERIAL: PBT	ONE PLACE DECIMAL ± ***	
			TWO PLACE DECIMAL ± ***	
			THREE PLACE DECIMAL ± ***	



ADVANCED ACOUSTIC TECHNOLOGY CORPORATION

For more information, please contact AATC.

AATC