
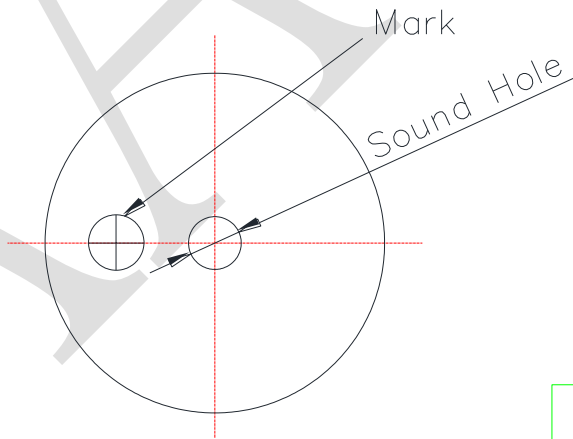
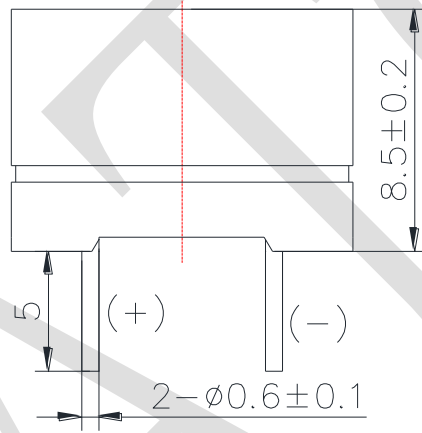
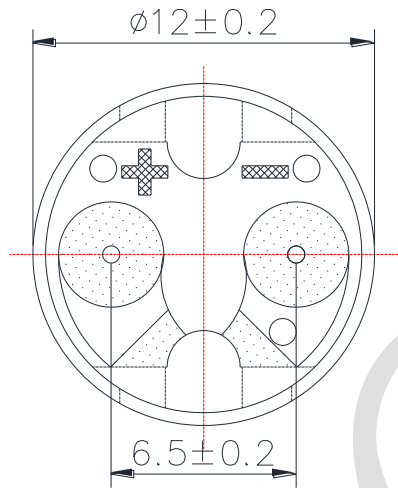


# 1. SPECIFICATION

AC-12L12A-2P

ITEM		UNITS	SPECIFICATIONS	CONDITIONS
01	Rated Voltage	V	12	 <p>Standard state, standard drive circuit. Square wave 1/2 duty.</p>
02	Operating Voltage	V	10 ~ 16	
03	Consumption Current	mA Max.	40	
04	Sound pressure level (Distance at 10cm )	dB(A) Min.	85	Rated voltage, rated frequency.
05	Direct Current Resistance	$\Omega$	140±14	
06	Rated Frequency	Hz	2048	
07	Operating Temp.	°C	-25~ +70	
08	Storage Temp.	°C	-40 ~ +85	
09	Weight	g	1.3	

REV NO.	REVISION NOTE	APPROVAL	DATE
---------	---------------	----------	------



RoHS

TITLE: ELECTRO MAGNETIC BUZZER		DRAWN: Hank	2019/09/17	SCALE: 4:1	SHEET: 1 of 1
PART NO. AC-12L12A-2P		DESIGNED: R&D OF AAT	UNITS: mm		
DWG NO. ZDC-120085F-12020R140		CHECKED:	TOLERANCE ± 0.5		
		APPROVAL:	UNLESS OTHERWISE SPECIFIED: ONE PLACE DECIMAL ± *** TWO PLACE DECIMAL ± *** THREE PLACE DECIMAL ± ***		
REV 1		MATERIAL: ABS			



ADVANCED ACOUSTIC TECHNOLOGY CORPORATION

For more information, please contact AATC.

AATC