
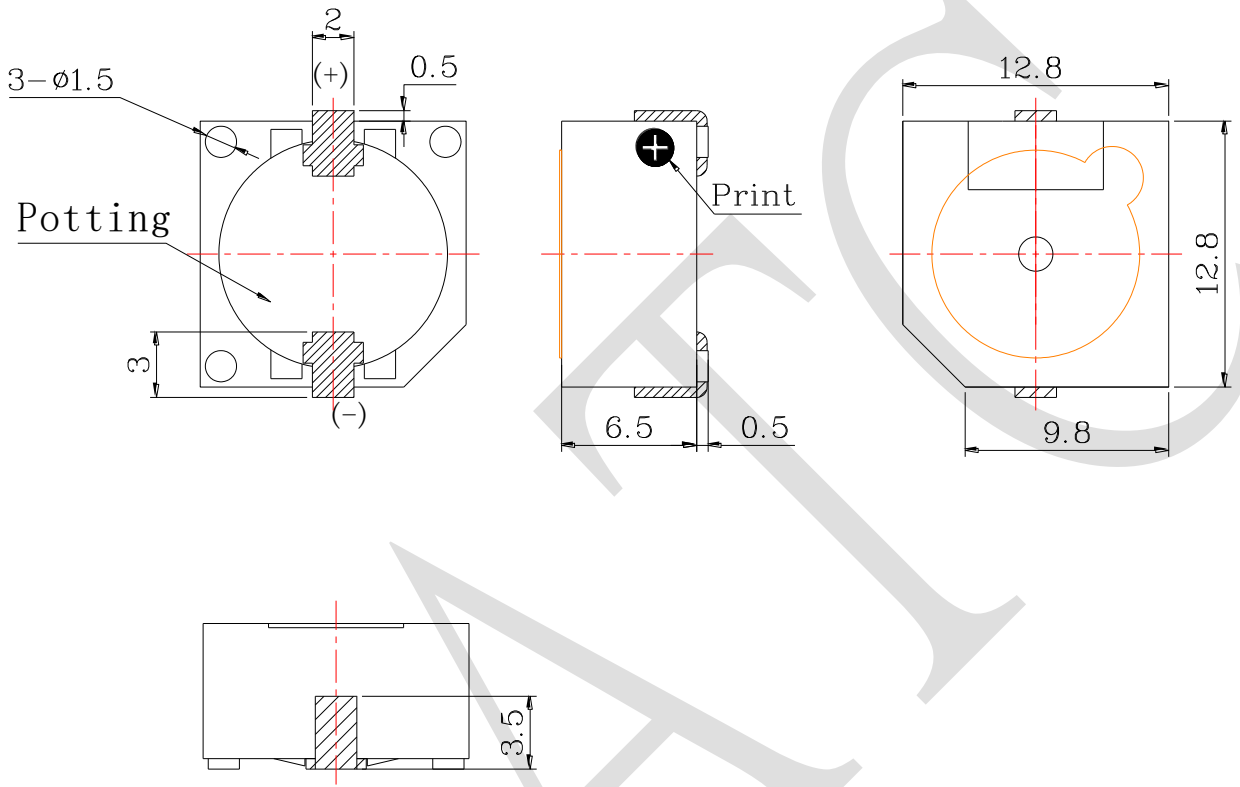


1. SPECIFICATION

AD-1305-GU2-LF

ITEM		UNITS	SPECIFICATIONS	CONDITIONS
01	Rated Voltage	V	5	
02	Operating Voltage	V	4 ~ 7	
03	Consumption Current	mA (Max)	Mean : 50	Applying rated voltage, rated frequency Square wave, 1/2 duty subject to standard state.
			Peak : 150	
04	Direct Current Resistance	Ω	45±5	
05	Sound Output (Distance at 10cm)	dBA (Min)	85	Applying rated voltage, rated frequency Square wave, 1/2 duty subject to standard state.
06	Rated Frequency	Hz	2400	
07	Operating Temp.	°C	-20 ~ +70	
08	Storage Temp.	°C	-30 ~ +80	
09	Weight	g	2	

REV NO.	REVISION NOTE	APPROVAL	DATE
---------	---------------	----------	------



RoHS

TITLE: SOUND TRANSDUCER (SMD)		DRAWN: Zack 2015/08/06	SCALE: 1:1	SHEET: 1 : 1
PART NO. AD-1305-GU2-LF	2	DESIGNED: R & D OF AAT	UNITS: mm	
DWG NO. FDM-1026 SMD-128065F-05024C-1_A10_2_1_		CHECKED:	TOLERANCE ± 0.5	
	REV	APPROVAL:	UNLESS OTHERWISE SPECIFIED:	
		MATERIAL: PPS	ONE PLACE DECIMAL ± ***	
			TWO PLACE DECIMAL ± ***	
			THREE PLACE DECIMAL ± ***	



ADVANCED ACOUSTIC TECHNOLOGY CORPORATION

For more information, please contact AATC.

AATC