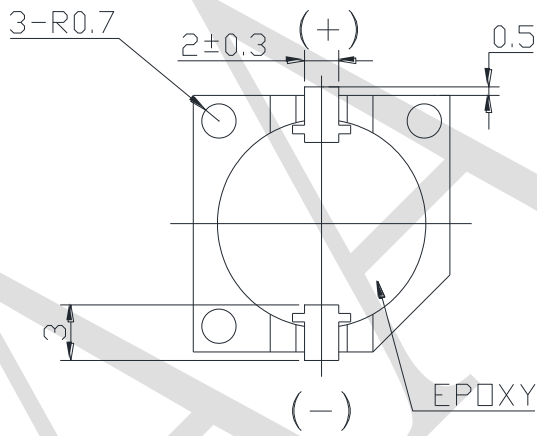
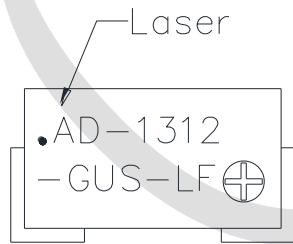
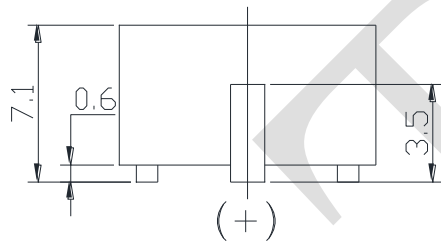
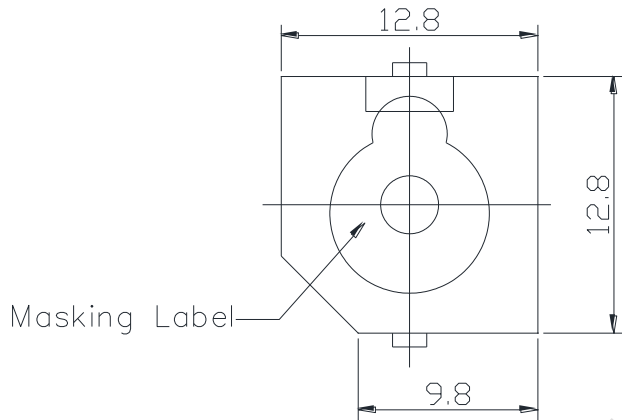


# 1. SPECIFICATION

AD-1312-GUS-LF

ITEM		UNITS	SPECIFICATIONS	CONDITIONS
01	Rated Voltage	V	12	
02	Operating Voltage	V	8 ~ 15	
03	Consumption Current	mA (Max)	30	Rated Voltage
04	Resonant Frequency	Hz	2400± 200	Rated Voltage
05	Response times	ms	≥ 100	
06	Sound pressure level	dB(A) Min.	85	Distance at 10cm Rated Voltage / Resonant Frequency
07	Operating Temp.	°C	-40 ~ +85	
08	Storage Temp.	°C	-40 ~ +85	
09	Weight	g	2.0	

REV NO.	REVISION NOTE	APPROVAL	DATE
---------	---------------	----------	------



RoHS

TITLE: SOUND TRANSDUCER (SMD)		DRAWN: Hank	2020/10/20	SCALE: 1:1	SHEET: 1 : 1
PART NO. AD-1312-GUS-LF	5	DESIGNED: R & D OF AAT	UNITS: mm		
DWG NO. UCT12XIC		CHECKED:	TOLERANCE ± 0.5		
REV		APPROVAL:	UNLESS OTHERWISE SPECIFIED: ONE PLACE DECIMAL ± *** TWO PLACE DECIMAL ± *** THREE PLACE DECIMAL ± ***		
		MATERIAL: PPS			



ADVANCED ACOUSTIC TECHNOLOGY CORPORATION

For more information, please contact AATC.

AATC