
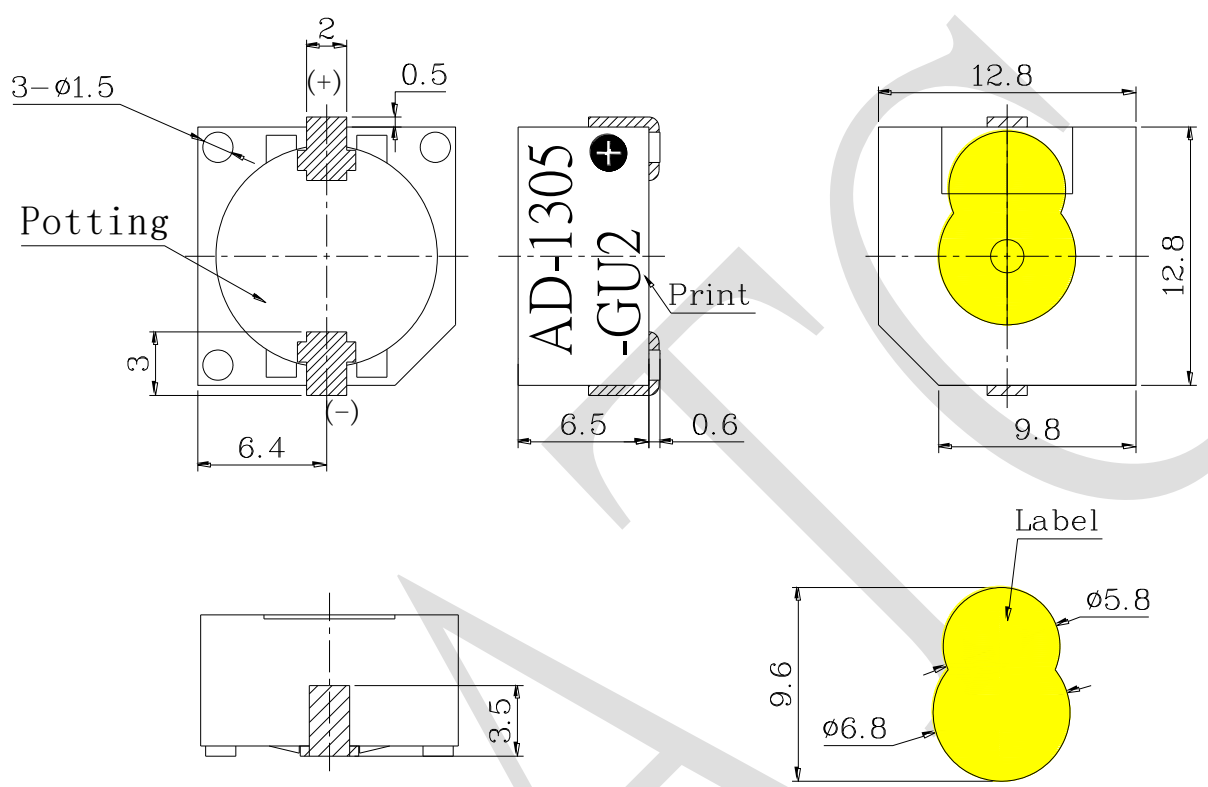


# 1. SPECIFICATION

AD-1305-GU2

ITEM		UNITS	SPECIFICATIONS	CONDITIONS
01	Rated Voltage	V	5	
02	Operating Voltage	V	4 ~ 7	
03	Consumption Current	mA (Max)	Mean : 50	Applying rated voltage, rated frequency Square wave, 1/2 duty subject to standard state.
			Peak : 150	
04	Direct Current Resistance	$\Omega$	45±5	
05	Sound Output (Distance at 10cm )	dBA (Min)	85	Applying rated voltage, rated frequency Square wave, 1/2 duty subject to standard state.
06	Rated Frequency	Hz	2400	
07	Operating Temp.	°C	-20 ~ +70	
08	Storage Temp.	°C	-30 ~ +80	
09	Weight	g	2	

REV NO.	REVISION NOTE	APPROVAL	DATE
---------	---------------	----------	------



TITLE: SOUND TRANSDUCER (SMD)		DRAWN: Zack	2013/09/06	SCALE: 1:1	SHEET: 1 : 1
PART NO. AD-1305-GU2		DESIGNED: R & D OF AAT	UNITS: mm		
DWG NO. FD-100708		CHECKED:	TOLERANCE $\pm$ 0.5		
		APPROVAL:	UNLESS OTHERWISE SPECIFIED:		
REV 2		MATERIAL: PPS	ONE PLACE DECIMAL $\pm$ ***		
			TWO PLACE DECIMAL $\pm$ ***		
			THREE PLACE DECIMAL $\pm$ ***		



ADVANCED ACOUSTIC TECHNOLOGY CORPORATION

For more information ,please contact AATC.

AATC