

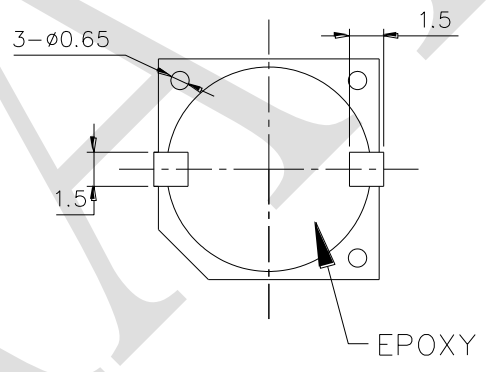
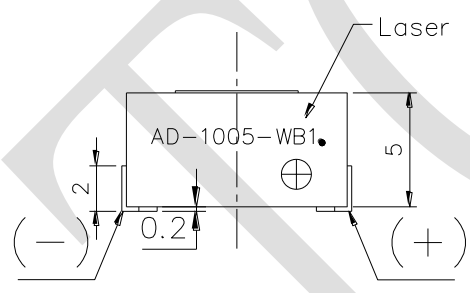
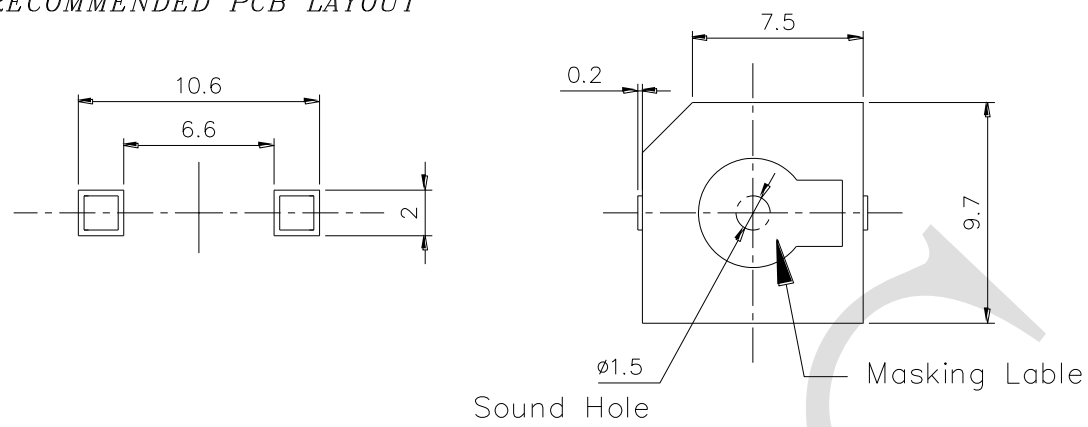
1. SPECIFICATION

AD-1005-WB1

ITEM		UNITS	SPECIFICATIONS	CONDITIONS
01	Rated Voltage	V	5	
02	Operating Voltage	V	4 ~ 7	
03	Consumption Current	mA (Max)	30	Rated Voltage
04	Resonant Frequency	Hz	2700 ± 300	Rated Voltage
05	Response times	ms	≥ 100	
06	Sound pressure level	dB(A) Min.	80	Distance at 10cm Rated Voltage / Resonant Frequency
07	Operating Temp.	°C	-30 ~ +70	
08	Storage Temp.	°C	-40 ~ +85	
09	Weight	g	1.0	

REV NO.	REVISION NOTE	APPROVAL	DATE
---------	---------------	----------	------

RECOMMENDED PCB LAYOUT



RoHS

TITLE: SOUND TRANSDUCER (SMD)		DRAWN: Zack	2019/04/01	SCALE: 1:1	SHEET: 1 : 1
PART NO. AD-1005-WB1		DESIGNED: R & D OF AAT		UNITS: mm	TOLERANCE ± 0.3
DWG NO. UCT1005AXICM		CHECKED:		UNLESS OTHERWISE SPECIFIED:	
		APPROVAL:		ONE PLACE DECIMAL ± ***	
		MATERIAL: LCP		TWO PLACE DECIMAL ± ***	
	3			THREE PLACE DECIMAL ± ***	



ADVANCED ACOUSTIC TECHNOLOGY CORPORATION

For more information, please contact AATC.

AATC