

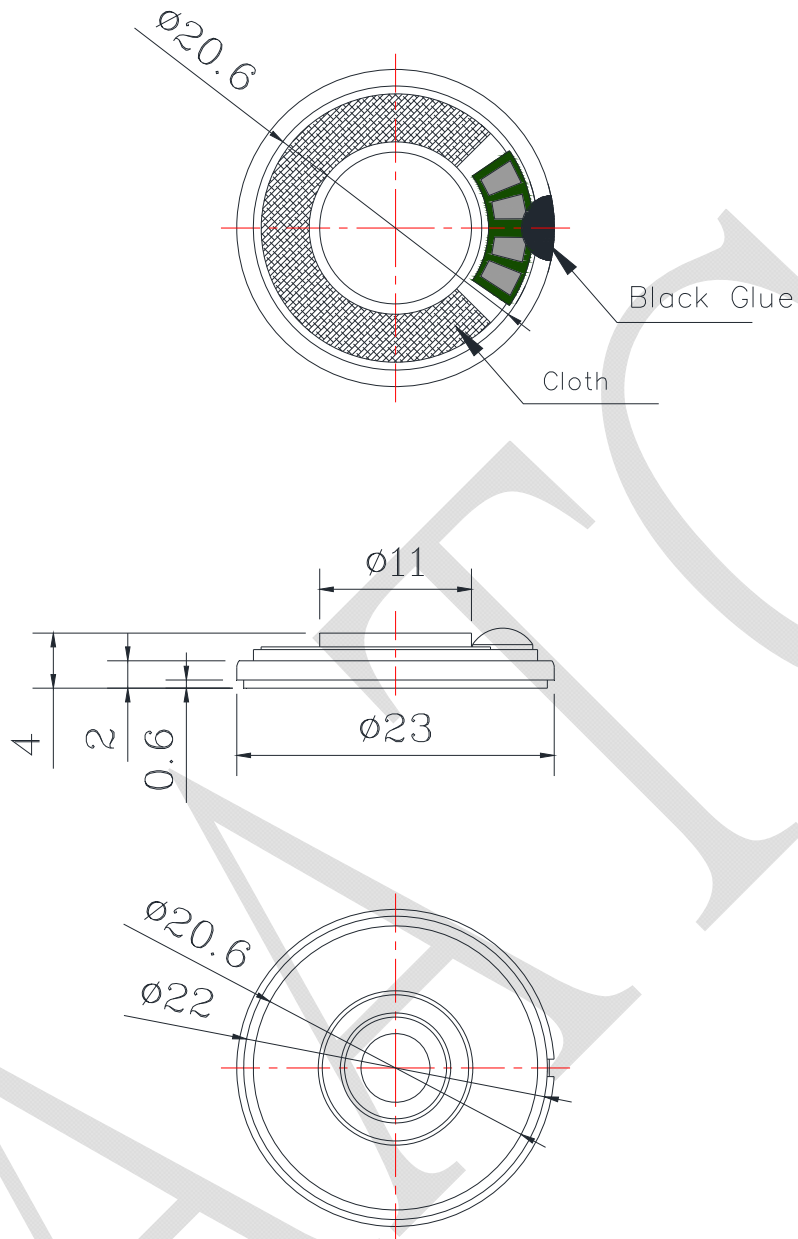
1. SPECIFICATION

AK-2308EB-8

ITEM		SPECIFICATIONS	
01	Type	Dynamic speaker	
02	Dimension	External diameter 23 mm	
03	Rated Input Power	1.0 W	
04	Max. Input Power	2.0 W for 1 minute	
05	Impedance	$8\Omega \pm 15\%$ at 2KHz 1V	
06	Resonance Frequency (Fo)	820 Hz $\pm 20\%$ at Fo, 1V	
07	Sound pressure level	88 dB(0.1W/0.1M) ± 3 dB	at AVE 1.0, 1.2, 1.6, 2.0 KHz.
		97 dB(1.0W/0.1M) ± 3 dB	
08	Frequency Range	Fo – 5 K Hz	
09	Total Harmonics Distortion	Max 10 % at 1 KHz, 2.83V.	
10	Voice Coil	Diameter 9.0 mm	
11	Magnet	Rare earth permanent (NdFeB) magnet $\Phi 8.2 \times 1.2$ mm	
12	Weight	8.0 g ± 2.4 g	
13	Appearance	Should not exist any obstacle to be harmful to normal operation; damages, cracks, rusts and distortions, etc.	
14	Operation Test	Must be normal at program source 1.0W	
15	Buzz, Rattle, etc.	Should not be audible at 2.83V sine wave between Fo to 20KHz	
16	Polarity	When positive voltage is applied to the terminal marked (+), diaphragm should move to the front.	
17	Terminal Strength	Capable of withstand 1kg load for 15 seconds without resulting in any damage or rejection.	
18	Temperature	Operating temperature: -40°C to $+85^{\circ}\text{C}$	
		Storage temperature: -40°C to $+85^{\circ}\text{C}$	

RoHS

REV NO.	REVISION NOTE	APPROVAL	DATE
---------	---------------	----------	------



CASE : Fe alloy .

DIAPHRAGM : BLACK PEI (HIGH TEMP.)

RoHS

TITLE: DYNAMIC SPEAKER		DRAWN: Sunny 2014-7-23	SCALE: 2:1	SHEET: 1:1
PART NO. AK-2308EB-8		DESIGNED: R&D OF AAT	UNITS: mm	
DWG NO. CA-K14072301	1 REV	CHECKED:	TOLERANCE ± 0.5	
		APPROVAL:	UNLESS OTHERWISE SPECIFIED: ONE PLACE DECIMAL \pm *** TWO PLACE DECIMAL \pm *** THREE PLACE DECIMAL \pm ***	
		MATERIAL: SPCC		



ADVANCED ACOUSTIC TECHNOLOGY CORPORATION

For more information, please contact AATC.

AATC