

## 1. SPECIFICATION

ADK-2008EB-23

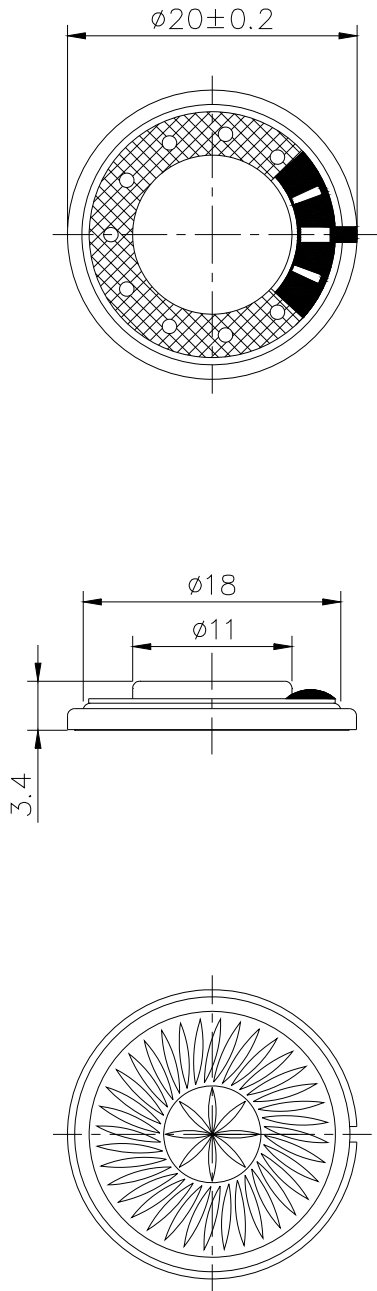
| ITEM |                            | SPECIFICATIONS  |                                 |
|------|----------------------------|---|---------------------------------|
| 01   | Type                       | Dynamic speaker   |                                 |
| 02   | Dimension                  | External diameter 20mm  |                                 |
| 03   | Rated Input Power          | 0.5W  |                                 |
| 04   | Impedance                  | 8 ohm $\pm$ 15% at 1500Hz   |                                 |
| 05   | Resonance Frequency (Fo)   | 800Hz $\pm$ 20% at Fo, 1V   |                                 |
| 06   | Sensitivity (S.P.L.)       | 74dB(W/m) $\pm$ 3 dB  | at AVE 1.2K,1.5K,1.8K,2.0K(Hz). |
|      |                            | 90dB(0.5W/0.1m) $\pm$ 3 dB  |                                 |
| 07   | Frequency Range            | Fo – 20KHz  |                                 |
| 08   | Total Harmonics Distortion | Less than 8 % at 1 KHz ,1.0V  |                                 |
| 09   | Max. Input Power           | Must be normal at 0.8W white noise for 1 minute.  |                                 |
| 10   | Voice Coil                 | Diameter 8.7mm  |                                 |
| 11   | Magnet                     | Rare earth permanent (Nd-Fe-B) magnet $\Phi$ 8.35 x 1.0mm   |                                 |
| 12   | Weight                     | 2.2g $\pm$ 0.5g   |                                 |
| 13   | Appearance                 | Should not exist any obstacle to be harmful to normal operation; damages, cracks, rusts and distortions, etc. |                                 |
| 14   | Operation Test             | Must be normal at program source –0.5W  |                                 |
| 15   | Buzz, Rattle, etc.         | Should not be audible at 2.0V sine Wave between Fo to 20KHz   |                                 |
| 16   | Polarity                   | When positive voltage is applied to the terminal marked (+), diaphragm should move to the front.              |                                 |
| 17   | Terminal Strength          | Capable of withstand 1kg load for 30 seconds without resulting in any damage or rejection.                    |                                 |
| 18   | Temperature                | Operating temperature: -20°C to +70°C   |                                 |
|      |                            | Storage temperature: -30°C to +75°C   |                                 |

REV NO.

REVISION NOTE

APPROVAL

DATE



|                        |          |                                |                               |               |
|------------------------|----------|--------------------------------|-------------------------------|---------------|
| TITLE: DYNAMIC SPEAKER |          | DRAWN: <i>Killy</i> 2004/06/15 | SCALE: 2:1                    | SHEET: 1 of 1 |
| PART NO. ADK-2008EB-23 |          | DESIGNED: R&D OF AAT           | UNITS: mm                     |               |
| DWG NO. DSE-1129       | 1<br>REV | CHECKED:                       | TOLERANCE $\pm 0.2$           |               |
|                        |          | APPROVAL:                      | UNLESS OTHERWISE SPECIFIED:   |               |
|                        |          | MATERIAL: IRON                 | ONE PLACE DECIMAL $\pm$ ***   |               |
|                        |          |                                | TWO PLACE DECIMAL $\pm$ ***   |               |
|                        |          |                                | THREE PLACE DECIMAL $\pm$ *** |               |



ADVANCED ACOUSTIC TECHNOLOGY CORPORATION

For more information, please contact AATC.