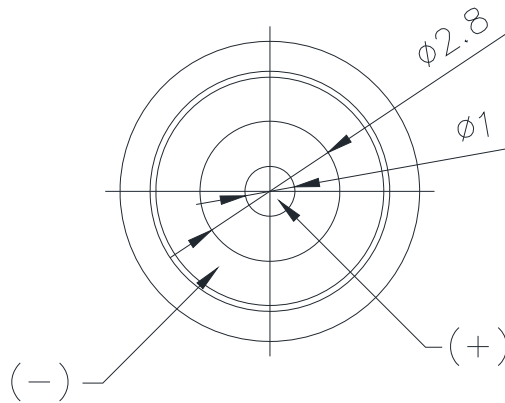
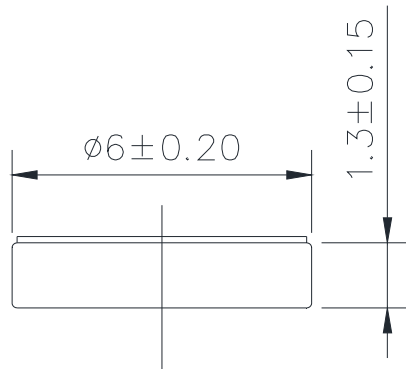
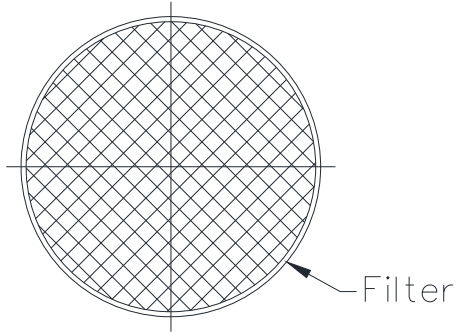


1. SPECIFICATIONS

AMB-O60S42-CC

SPECIFICATIONS		
01	Electret Type	BACK type
02	Sensitivity	-42±3dB (0dB=1V/Pa,1KHz)
03	Output Impedance (Max)	2.2K Ω
04	Directivity	Omnidirectional
05	Frequency Range	70-20,000Hz
06	Max.Operation Voltage	10V
07	Standard Operation Voltage	2.0V
08	Current Consumption	Max.0.5mA
09	Sensitivity Reduction	Within -3dB 0dB=1V/Pa,1KHz Vs=2.0 to 1.5V
10	S/N Ratio	> 58dB
11	Operating Temperature	-25~+70°C
12	Storage Temperature	-40~+70°C



TITLE: <i>MICROPHONE</i>		DRAWN: <i>JCHN</i> 06/07/2004	SCALE: 5:1	SHEET: 1 of 1
PART NO. <i>AMB-060S42-CC</i>		DESIGNED: R & D OF AAT	UNITS: mm	
DWG NO. <i>DTM-1256</i>		CHECKED:	TOLERANCE ± 0.2	
		APPROVAL:	UNLESS OTHERWISE SPECIFIED: ONE PLACE DECIMAL \pm *** TWO PLACE DECIMAL \pm *** THREE PLACE DECIMAL \pm ***	
	1	MATERIAL: *****		



For more information, please contact AATC.