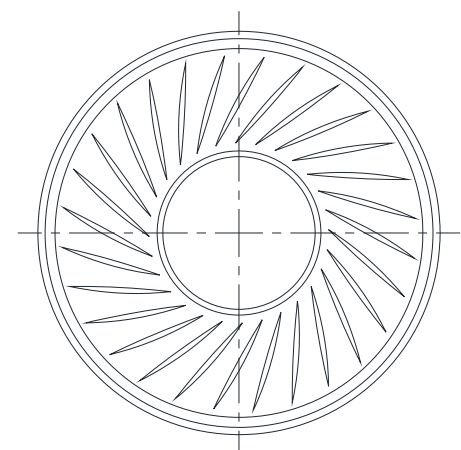
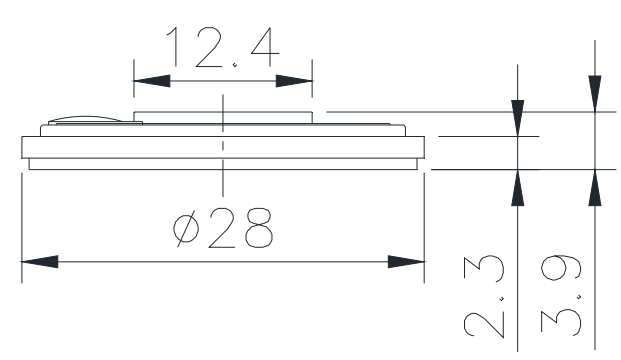
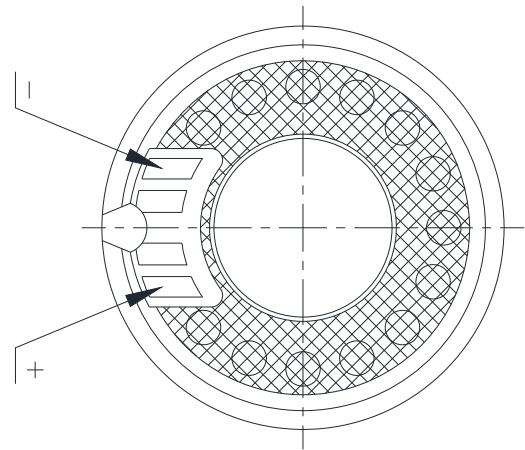


1. SPECIFICATION

AK-2808AB-12

ITEM		SPECIFICATIONS	
01	Type	Dynamic speaker	
02	Dimension	External diameter 28 mm	
03	Rated Input Power	0.3 W	
04	Impedance	8 ohm \pm 15% at 2 KHz	
05	Resonance Frequency (Fo)	600 Hz \pm 20% at Fo, 1V	
06	Sensitivity (S.P.L.)	76 dB(W/m) \pm 3 dB	at AVE 0.8K,1.0K,1.2K,1.6K Hz.
		90dB (0.3W/0.1m) \pm 3 dB	
07	Frequency Range	Fo – 20KHz	
08	Distortion	Less than 5 % at 1 KHz ,1.0V	
09	Max. Input Power	Must be normal at 0.6W white noise for 1 minute.	
10	Voice Coil	Diameter 10.5 mm	
11	Magnet	Rare earth permanent (Nd-Fe-B) magnet Φ 9.5x1.5 mm	
12	Weight	5g \pm 0.5g	
13	Appearance	Should not exist any obstacle to be harmful to normal operation; damages, cracks, rusts and distortions, etc.	
14	Operation Test	Must be normal at program source 0.3W	
15	Buzz, Rattle, etc.	Should not be audible at 1.55V sine Wave between Fo to 20KHz	
16	Polarity	When positive voltage is applied to the terminal marked (+), diaphragm should move to the front.	
17	Terminal Strength	Capable of withstand 1kg load for 30 seconds without resulting in any damage or rejection.	
18	Temperature	Operating temperature: -20°C to +60°C	
		Storage temperature: -30°C to +70°C	

REV NO.	REVISION NOTE	APPROVAL	DATE
---------	---------------	----------	------



TITLE: DYNAMIC SPEAKER		DRAWN: JOYEN	03/29/2005	SCALE: 2:1	SHEET: 1 of 1
PART NO. AK-2808AB-12		DESIGNED: R&D OF AAT	UNITS: mm		
DWG NO. DTS-1093		CHECKED:	TOLERANCE ± 0.3		
		APPROVAL:	UNLESS OTHERWISE SPECIFIED: ONE PLACE DECIMAL ± *** TWO PLACE DECIMAL ± *** THREE PLACE DECIMAL ± ***		
REV 1		MATERIAL: *****			



ADVANCED ACOUSTIC TECHNOLOGY CORPORATION

For more information, please contact AATC.