

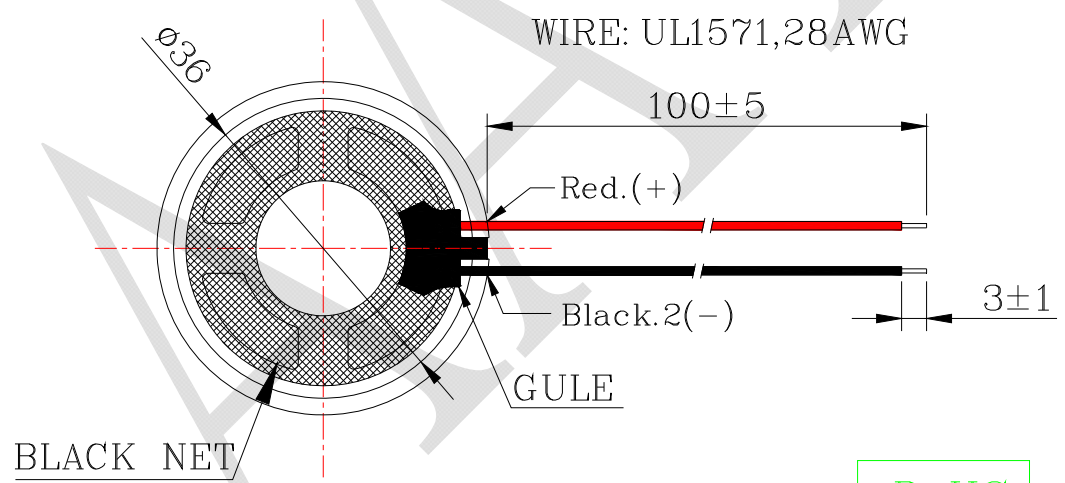
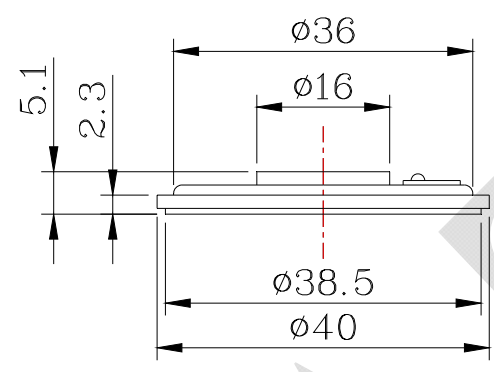
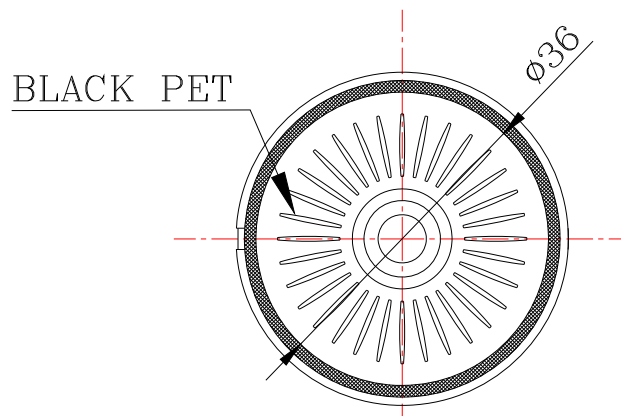
# 1. SPECIFICATION

AK-4008BB-7W1

ITEM		SPECIFICATIONS	
01	Type	Dynamic speaker	
02	Dimension	External diameter 40 mm	
03	Rated Input Power	0.5 W	
04	Max. Input Power	0.8 W for 1 minute	
05	Impedance	$8\Omega \pm 15\%$ at 1 KHz 1V	
06	Resonance Frequency (Fo)	600 Hz $\pm$ 20% at Fo, 1V	
07	Sound pressure level	92 dB(0.1W/0.1M) $\pm$ 3 dB	at AVE 0.8, 1.0, 1.2, 1.5 KHz.
		98 dB(0.5W/0.1M) $\pm$ 3 dB	
08	Frequency Range	Fo – 6 K Hz	
09	Total Harmonics Distortion	Max 10 % at 1 KHz, 1.5V.	
10	Voice Coil	Diameter 10.5 mm	
11	Magnet	Rare earth permanent ( NdFeB ) magnet $\Phi$ 12.5x1.5 mm	
12	Weight	9.4g $\pm$ 3g	
13	Appearance	Should not exist any obstacle to be harmful to normal operation; damages, cracks, rusts and distortions, etc.	
14	Operation Test	Must be normal at program source 0.5W	
15	Buzz, Rattle, etc.	Should not be audible at 2.0V sine wave between Fo to 20KHz	
16	Polarity	When positive voltage is applied to the terminal marked (+), diaphragm should move to the front.	
17	Terminal Strength	Capable of withstand 1kg load for 15 seconds without resulting in any damage or rejection.	
18	Temperature	Operating temperature: -20°C to +60°C	
		Storage temperature: -30°C to +70°C	

RoHS

REV NO.	REVISION NOTE	APPROVAL	DATE
---------	---------------	----------	------



RoHS

TITLE: DYNAMIC SPEAKER	DRAWN: Zack	2012/8/21	SCALE: 1:1	SHEET: 1 of 1
PART NO. AK-4008BB-7W1	DESIGNED: R&D OF AAT		UNITS: mm	TOLERANCE $\pm 0.5$
DWC NO. UGS4008-01W100	2	REV	CHECKED:	UNLESS OTHERWISE SPECIFIED:
			APPROVAL:	ONE PLACE DECIMAL $\pm$ ***
			MATERIAL: SPCC	TWO PLACE DECIMAL $\pm$ ***
			THREE PLACE DECIMAL $\pm$ ***	



ADVANCED ACOUSTIC TECHNOLOGY CORPORATION

For more information, please contact AATC.

AATC