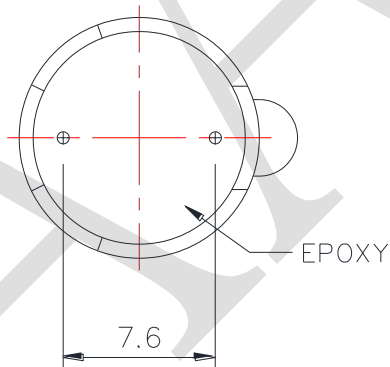
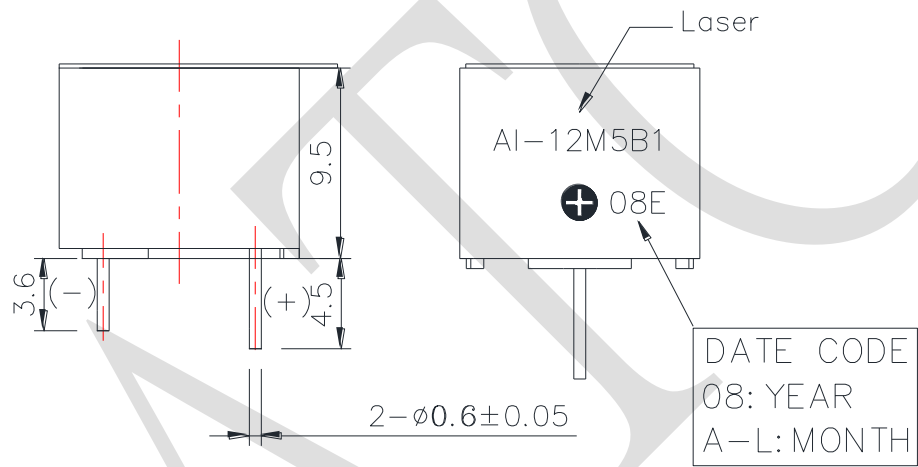
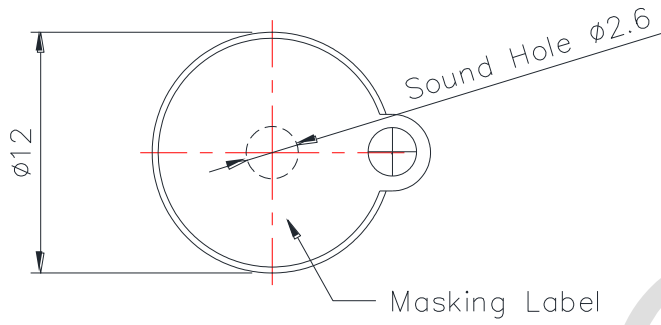


1. SPECIFICATION

AI-12M5B1

ITEM		UNITS	SPECIFICATIONS	CONDITIONS
01	Rated Voltage	V	5	
02	Operating Voltage	V	4 ~ 7	
03	Consumption Current	mA (Max)	35	Rated Voltage
04	Resonant Frequency	Hz	2300 ± 300	Rated Voltage
05	Response times	ms	≥ 100	
06	Sound pressure level	dB(A) Min.	85	Distance at 10cm Rated Voltage / Resonant Frequency
07	Operating Temp.	°C	-40 ~ +85	
08	Storage Temp.	°C	-40 ~ +85	
09	Weight	g	2.0 ± 0.6	

REV NO.	REVISION NOTE	APPROVAL	DATE
---------	---------------	----------	------



RoHS

TITLE: ELECTRO MAGNETIC BUZZER		DRAWN: Zak	2019/12/25	SCALE: 3/1	SHEET: 1 of 1
PART NO. AI-12M5B1		DESIGNED: R&D OF AAT		UNITS: mm	TOLERANCE ± 0.5
DWG NO. *****		CHECKED:		UNLESS OTHERWISE SPECIFIED:	
		APPROVAL:		ONE PLACE DECIMAL ± ***	
REV 1		MATERIAL: PBT		TWO PLACE DECIMAL ± ***	
				THREE PLACE DECIMAL ± ***	



ADVANCED ACOUSTIC TECHNOLOGY CORPORATION

For more information, please contact AATC

AATC