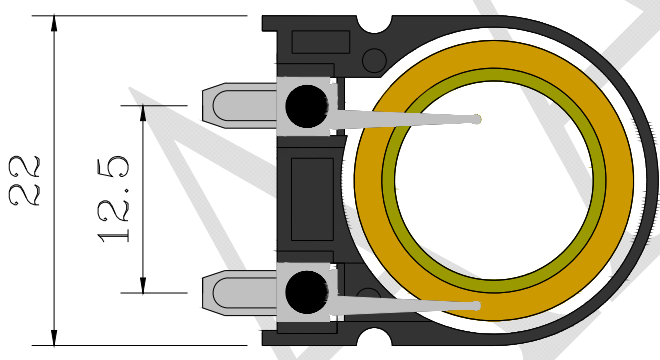
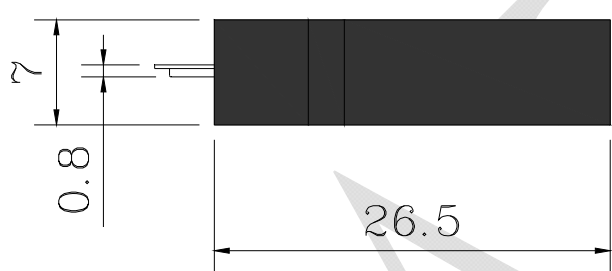
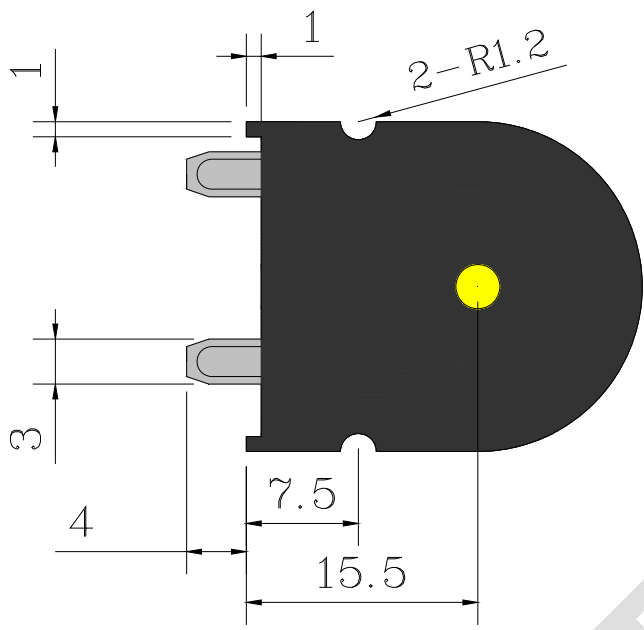


1. SPECIFICATION

AZ-2220E-P

ITEM		UNITS	SPECIFICATIONS	CONDITIONS
01	Rated Voltage	V	3	Vp-p (Square Wave) 1/2 duty
02	Operating Voltage	V	1~ 25	
03	Rated Current	mA(Max)	1	Rated Voltage
04	Sound Output (Distance at 10cm)	dBA(Min)	70	Rated Voltage Rated Frequency
05	Resonant Frequency	Hz	2000± 300	Rated Voltage
06	Capacitance	pF	20000±30%	At 120Hz
07	Operating Temp.	°C	-20 ~ +70	
08	Storage Temp.	°C	-40 ~ +80	
09	Weight	g	2.4	

REV NO.	REVISION NOTE	APPROVAL	DATE
---------	---------------	----------	------



RoHS

TITLE: <i>PIEZO BUZZER</i>		DRAWN: <i>Zack</i> 2015/04/21	SCALE: 2:1	SHEET: 1:1
PART NO. <i>AZ-2220E-P</i>		DESIGNED: <i>R&D OF AAT</i>	UNITS: <i>mm</i>	
DWC NO. <i>UGPA22A2003P</i>	3 REV	CHECKED:	TOLERANCE ± 0.5	
		APPROVAL:	UNLESS OTHERWISE SPECIFIED:	
		MATERIAL: <i>*****</i>	ONE PLACE DECIMAL ± ***	
			TWO PLACE DECIMAL ± ***	
			THREE PLACE DECIMAL ± ***	



ADVANCED ACOUSTIC TECHNOLOGY CORPORATION

For more information, please contact AATC.

AATC