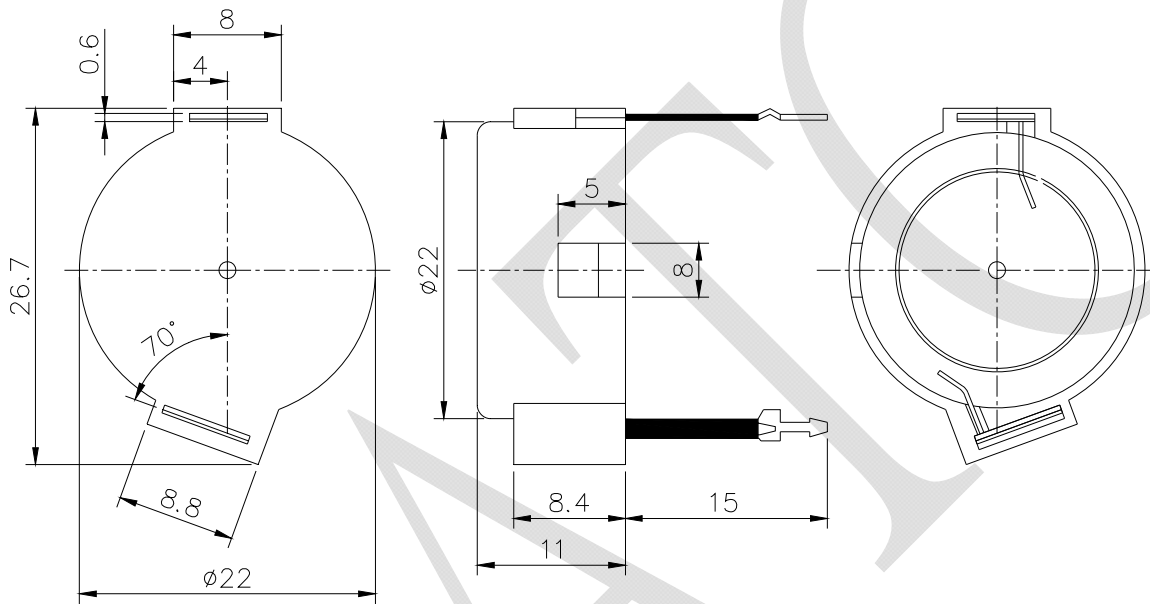


1. SPECIFICATION

AZ-2220E-PU-LF

ITEM		UNITS	SPECIFICATIONS	CONDITIONS
01	Rated Voltage	V	12	Vp-p (Square Wave) 1/2 duty
02	Operating Voltage	V	1 ~ 30	
03	Rated Current	mA(Max)	8	Rated Voltage
04	Sound pressure level (Distance at 10cm)	dBA(Min)	88	Rated Voltage Rated Frequency
05	Resonant Frequency	Hz	2000 ± 300	Rated Voltage
06	Capacitance	pF	20000±30%	At 120Hz
07	Operating Temp.	°C	-20 ~ +60	
08	Storage Temp.	°C	-30 ~ +70	
09	Weight	g	3	

REV NO.	REVISION NOTE	APPROVAL	DATE
---------	---------------	----------	------



RoHS

TITLE: <i>PIEZO BUZZER</i>		DRAWN: <i>Zack</i>	2013/02/19	SCALE: 2:1	SHEET: 1:1
PART NO. <i>AZ-2220E-PU-LF</i>	2	DESIGNED: <i>R&D OF AAT</i>	UNITS: <i>mm</i>		
DWG NO. <i>HS-090512</i>		CHECKED:	TOLERANCE ± 0.5		
REV		APPROVAL:	UNLESS OTHERWISE SPECIFIED: ONE PLACE DECIMAL \pm *** TWO PLACE DECIMAL \pm *** THREE PLACE DECIMAL \pm ***		
		MATERIAL: <i>ABS</i>			



ADVANCED ACOUSTIC TECHNOLOGY CORPORATION

For more information, please contact AATC.

AATC