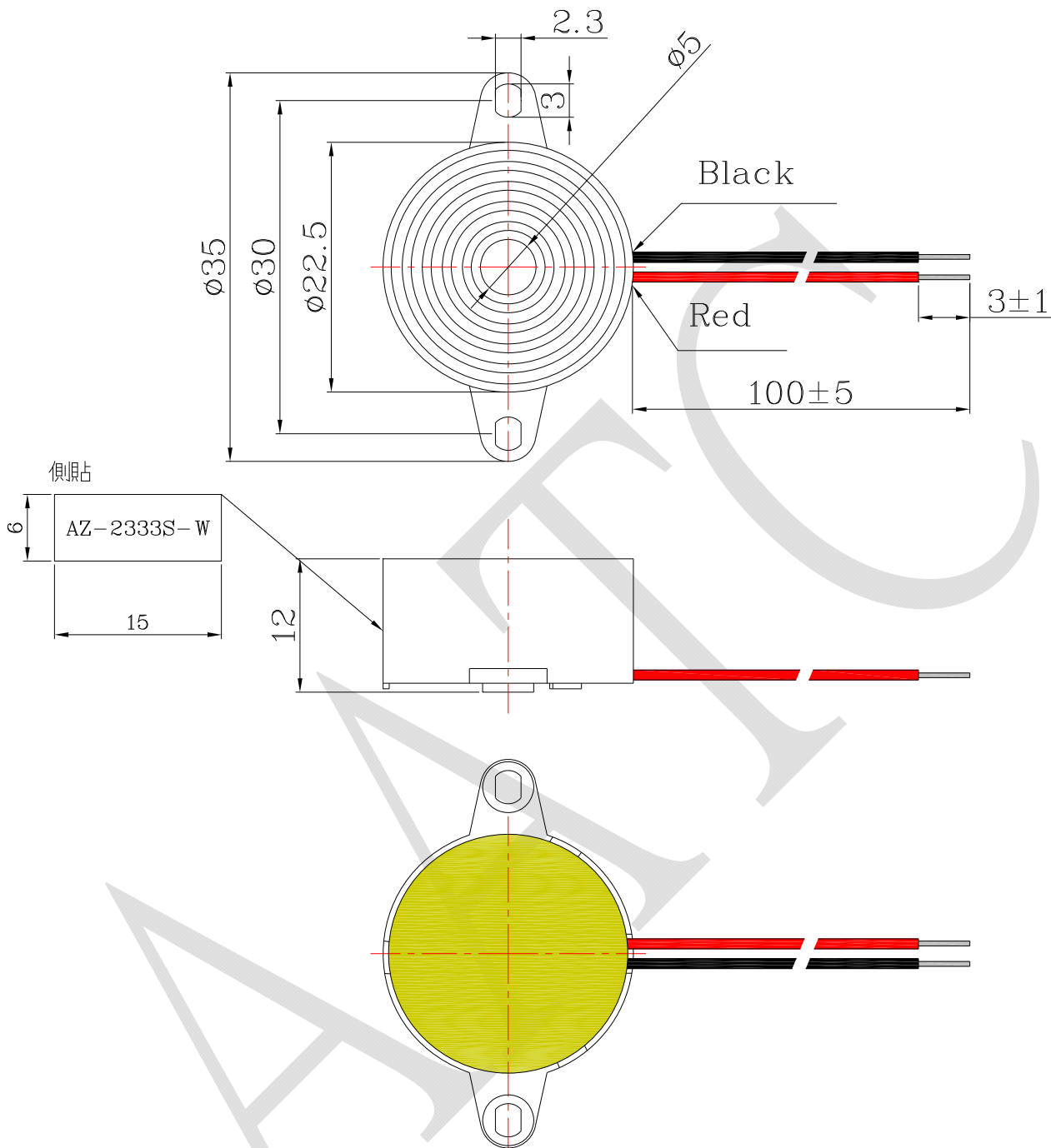


1. SPECIFICATION

AZ-2333S-W

ITEM		UNITS	SPECIFICATIONS	CONDITIONS
01	Rated Voltage	V	12	VDC
02	Operating Voltage	V	1.5~ 24	
03	Rated Current	mA(Max)	12	Rated Voltage
04	Sound pressure level (Distance at 30cm)	dBA(Min)	85	Rated Voltage Rated Frequency
05	Rated Frequency	Hz	3300	Rated Voltage
06	Resonant Frequency	Hz	3300± 500	
07	Tone Nature	Single		
08	Operating Temp.	°C	-20~ +60	
09	Storage Temp.	°C	-30 ~ +70	
10	Weight	g	3.6	

REV NO.	REVISION NOTE	APPROVAL	DATE
---------	---------------	----------	------



Wire: UL1007. AWG26#

RoHS

TITLE: PIEZO BUZZER	DRAWN: Jerry 2012/11/28	SCALE: 2:1	SHEET: 1 of 1
PART NO. AZ-2333S-W	DESIGNED: R & D OF AAT	UNITS: mm	TOLERANCE ± 0.5
DWG NO. UGPA23DX3312W100-MPPO	3 REV	CHECKED:	UNLESS OTHERWISE SPECIFIED:
		APPROVAL:	ONE PLACE DECIMAL \pm ***
		MATERIAL: MPPO	TWO PLACE DECIMAL \pm ***
		THREE PLACE DECIMAL \pm ***	



ADVANCED ACOUSTIC TECHNOLOGY CORPORATION

For more information, please contact AATC.

AATC