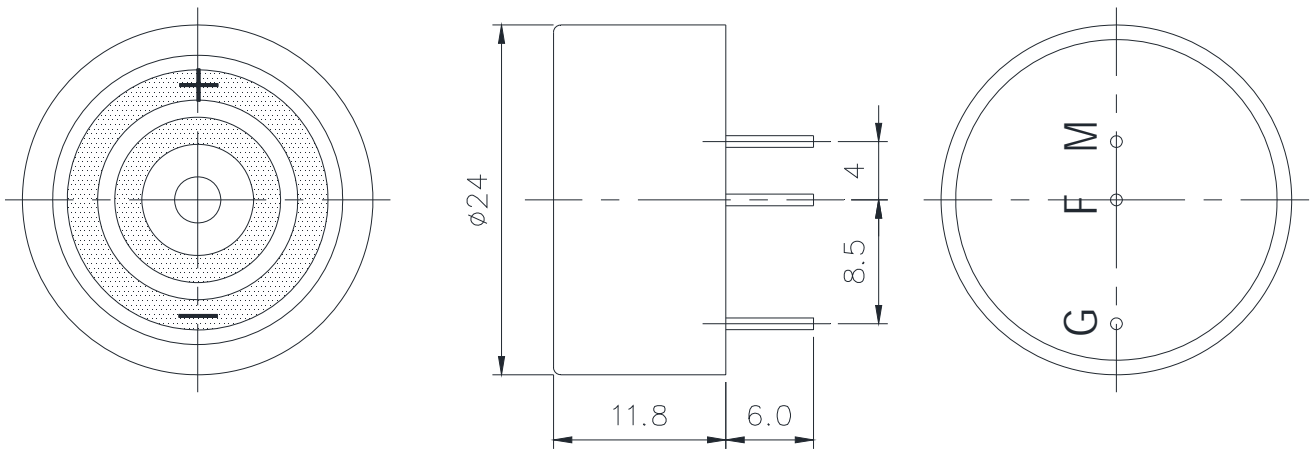


1. SPECIFICATION

AZ-2430E-A

Items		Units	Specifications	Conditions
01	Rated Voltage	VDC	12	
02	Operating Voltage	VDC	3 ~ 28	
03	Rated Current	mA(Max)	10	At 12 VDC / 3.0KHz
04	Sound Output At 30 cm	dBA(Min)	80	At 12 VDC / 3.0KHz
05	Resonant Frequency	Hz	3000 ±500	
06	Operating Temp.	°C	-30 ~ + 80	
07	Storage Temp.	°C	-40 ~ +85	
08	Weight	g	3.4	

REV NO.	REVISION NOTE	APPROVAL	DATE
---------	---------------	----------	------



TITLE:	PIEZO BUZZER	DRAWN:	Milton *****	SCALE:	2:1	SHEET:	1 : 1
PART NO.	AZ-2430E-A	DESIGNED:	R & D OF AAT	UNITS:	mm	TOLERANCE ± 0.5	
DWG NO.	DTP-1165	1	CHECKED:	UNLESS OTHERWISE SPECIFIED:			
		REV	APPROVAL:	ONE PLACE DECIMAL \pm ***			
			MATERIAL:	TWO PLACE DECIMAL \pm ***			
				THREE PLACE DECIMAL \pm ***			



ADVANCED ACOUSTIC TECHNOLOGY CORPORATION

For more information, please contact AATC.