

1. SPECIFICATION

AZ-2437S-P-LF

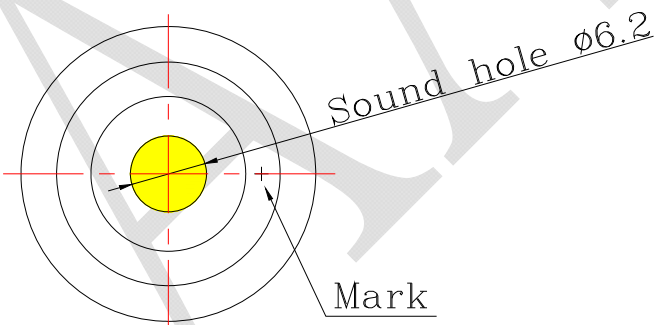
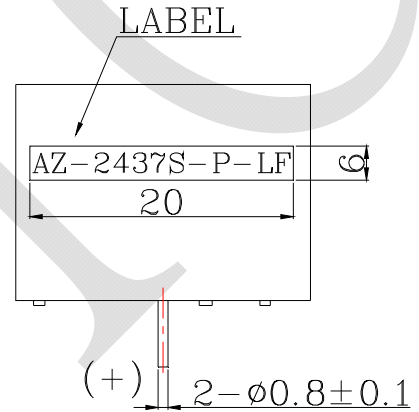
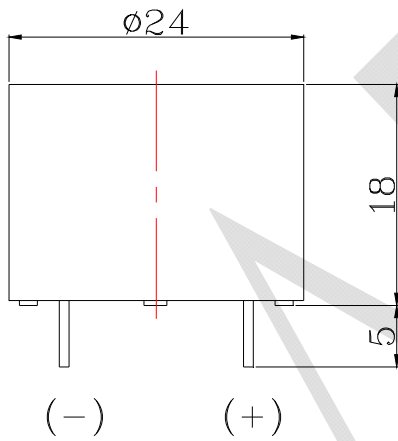
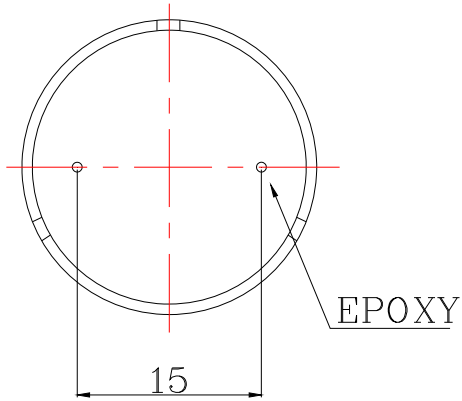
ITEM		UNITS	SPECIFICATIONS	CONDITIONS
01	Rated Voltage	V	12	VDC
02	Operating Voltage	V	3~ 16	
03	Rated Current	mA(Max)	8	Rated Voltage
04	Sound pressure level (Distance at 30cm)	dBA(Min)	90	Rated Voltage Rated Frequency
05	Rated Frequency	Hz	3700	Rated Voltage
06	Resonant Frequency	Hz	3700± 500	
07	Tone Nature	Single		
08	Operating Temp.	°C	-20 ~ +70	
09	Storage Temp.	°C	-40 ~ +80	
10	Weight	g	5.2	

REV NO.

REVISION NOTE

APPROVAL

DATE



RoHS

TITLE:	PIEZO BUZZER	DRAWN:	Jerry 2014/03/20	SCALE:	2:1	SHEET:	1 of 1
PART NO.	AZ-2437S-P-LF	DESIGNED:	R & D OF AAT	UNITS:	mm	TOLERANCE	± 0.5
DWG NO.	UGPM24BX3712P	1	CHECKED:	UNLESS OTHERWISE SPECIFIED:			
		REV	APPROVAL:	ONE PLACE DECIMAL ± ***			
			MATERIAL:	TWO PLACE DECIMAL ± ***			
			NORYL	THREE PLACE DECIMAL ± ***			



ADVANCED ACOUSTIC TECHNOLOGY CORPORATION

For more information, please contact AATC.

AATC