

## 1. SPECIFICATION

AZ-3329S-W-LF

ITEM		UNITS	SPECIFICATIONS	CONDITIONS
01	Rated Voltage	V	10	VDC
02	Operating Voltage	V	3 ~ 25	
03	Rated Current	mA(Max)	25	Rated Voltage
04	Sound pressure level (Distance at 10cm )	dBA(Min)	100	Rated Voltage Rated Frequency
05	Rated Frequency	Hz	2900	Rated Voltage
06	Resonant Frequency	Hz	2900± 500	
07	Tone Nature	Single		
08	Operating Temp.	°C	-30 ~ +70	
09	Storage Temp.	°C	-40 ~ +85	
10	Weight	g	20	

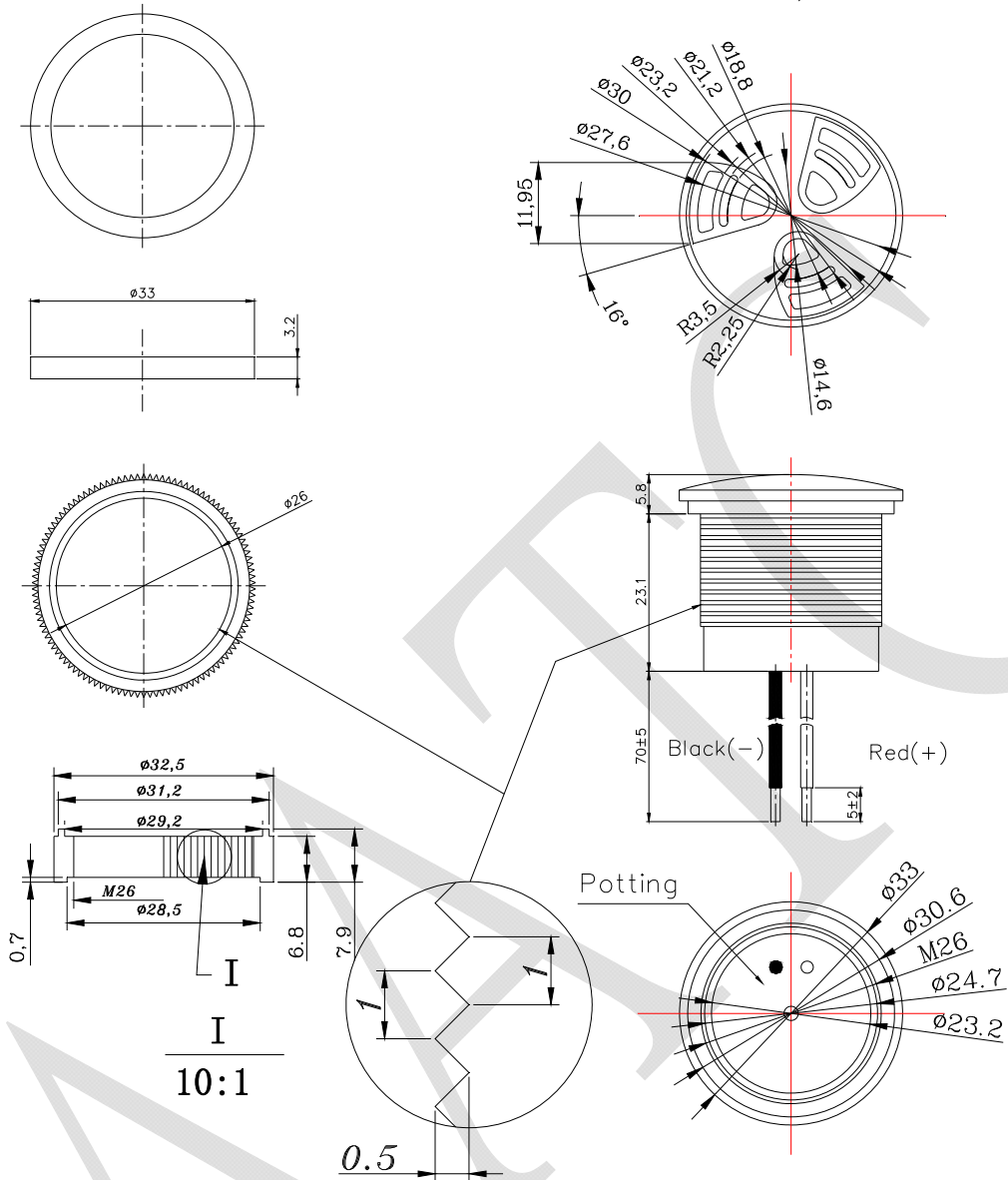
REV NO.

REVISION NOTE

APPROVAL

DATE

WIRE : UL 1007 , AWG 22 .



The Thread of Nut and Housing spec. are the same .

Thread Pitch : 1.0mm , Thread depth : 0.5mm .

( National Standard is called M26 )

RoHS

TITLE: <i>PIEZO BUZZER</i>		DRAWN: <i>Zack</i> 2013/12/16	SCALE: 1:1	SHEET: 1 of 1
PART NO. <i>AZ-3329S-W-LF</i>		DESIGNED: <i>R &amp; D OF AAT</i>	UNITS: <i>mm</i>	
DWC NO. <i>UGPM33CX2910W70</i>	4 REV	CHECKED:	TOLERANCE $\pm 0.5$	
		APPROVAL:	UNLESS OTHERWISE SPECIFIED: ONE PLACE DECIMAL $\pm$ *** TWO PLACE DECIMAL $\pm$ *** THREE PLACE DECIMAL $\pm$ ***	
		MATERIAL: <i>NORYL</i>		

ADVANCED ACOUSTIC TECHNOLOGY CORPORATION

For more information, please contact AATC.

AATC