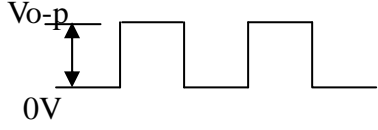
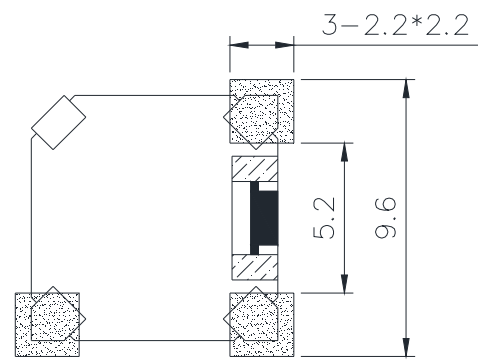
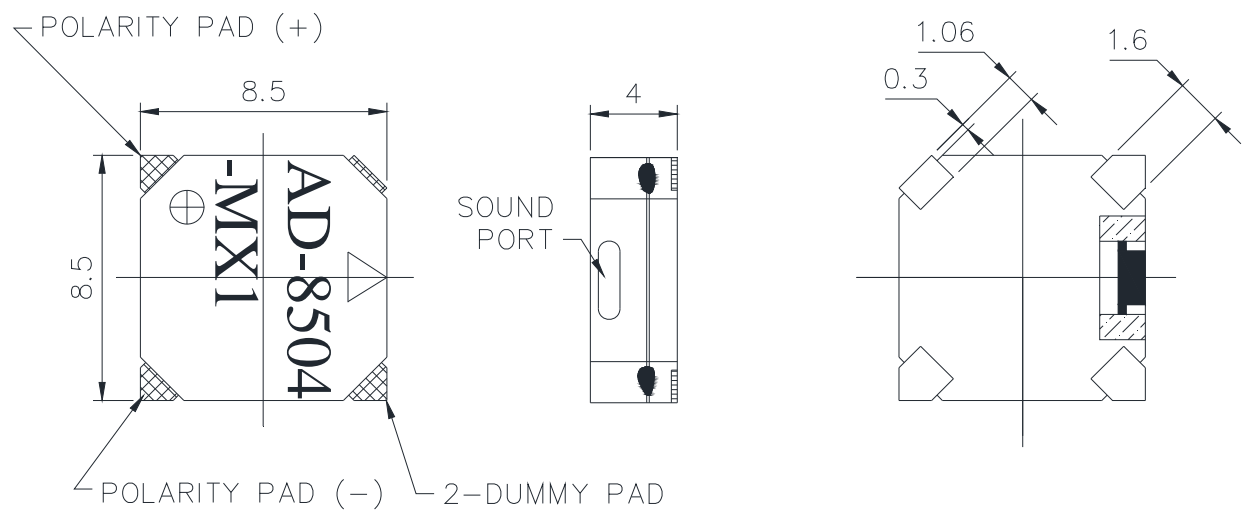


# 1. SPECIFICATION

AD-8504-MX1

Items		Units	Specifications	Conditions
01	Rated Voltage	Vo-p	3.6	
02	Operating Voltage	Vo-p	2.5 ~ 4.5	
03	Consumption Current	mA (max)	100	Standard State, Standard Drive Circuit. Rated Voltage, Distance at 10 cm free air 2600Hz, Square Wave 1 / 2 Duty
04	Sound Pressure Label	dB (min)	85	
05	Resonant Frequency	Hz	2500	
06	Coil Resistance	$\Omega$	$20 \pm 4$	At Basic State
07	Operating Temp.	$^{\circ}\text{C}$	-30 ~ +70	
08	Storage Temp.	$^{\circ}\text{C}$	-40 ~ +80	
09	Dimension	mm	8.5 x 8.5 x 4	See attached drawing.
10	Weight	Gram	0.5	

REV NO.	REVISION NOTE	APPROVAL	DATE
---------	---------------	----------	------



RECOMMENDED P.C.B LAYOUT

TITLE: SOUND TRANSDUCER (SMD)		DRAWN: JOAN 08/12/2004	SCALE: 4:1	SHEET: 1 OF 1
PART NO. AD-8504-MX1		DESIGNED: R&D OF AAT	UNITS: mm	
DWG NO. DTD-2002		CHECKED:	TOLERANCE ± 0.2	
		APPROVAL:	UNLESS OTHERWISE SPECIFIED: ONE PLACE DECIMAL ± *** TWO PLACE DECIMAL ± *** THREE PLACE DECIMAL ± ***	
REV	1	MATERIAL: LCP		



ADVANCED ACOUSTIC TECHNOLOGY CORPORATION

For more information, please contact AATC.