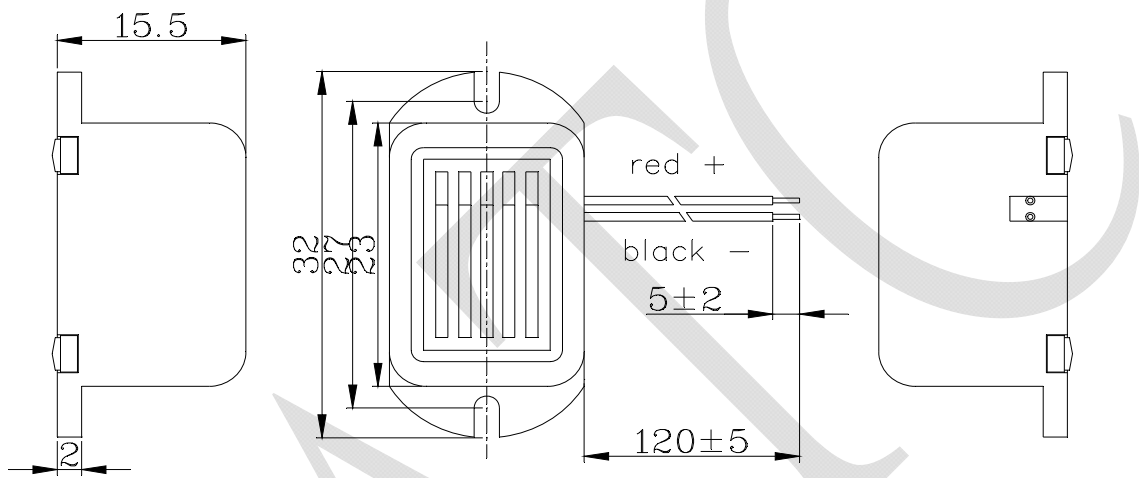


1. SPECIFICATION

AB-2317241-W

ITEM		UNITS	SPECIFICATIONS	CONDITIONS
01	Rated Voltage	V	24	
02	Operating Voltage	V	15 ~ 27	
03	Consumption Current	mA (Max)	Mean : 30	Rated Voltage
04	Sound pressure level	dBA (Min)	75	Distance at 20cm
05	Tone Nature			single
06	Resonant Frequency	Hz	400±100	
07	Operating Temp.	°C	-10 ~ +60	
08	Storage Temp.	°C	-10 ~ +70	
09	Weight	g	10	

REV NO.	REVISION NOTE	APPROVAL	DATE
---------	---------------	----------	------



RoHS

TITLE: SOUND TRANSDUCER DIMENSIONS		DRAWN: LI MAN 2019-9-23	SCALE: 4:1	SHEET: 1 of 1
PART NO. AB-2317241-W	2	DESIGNED: R&D OF AAT	UNITS: mm	
DWG NO. DTB-1005		CHECKED:	TOLERANCE ± 0.5	
	REV	APPROVAL:	UNLESS OTHERWISE SPECIFIED:	
		MATERIAL:	ONE PLACE DECIMAL ± ***	
			TWO PLACE DECIMAL ± ***	
			THREE PLACE DECIMAL ± ***	



ADVANCED ACOUSTIC TECHNOLOGY CORPORATION

For more information, please contact AATC.

AATC