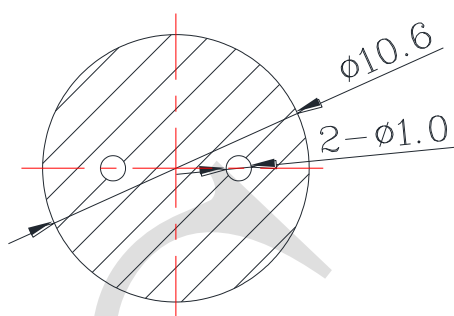
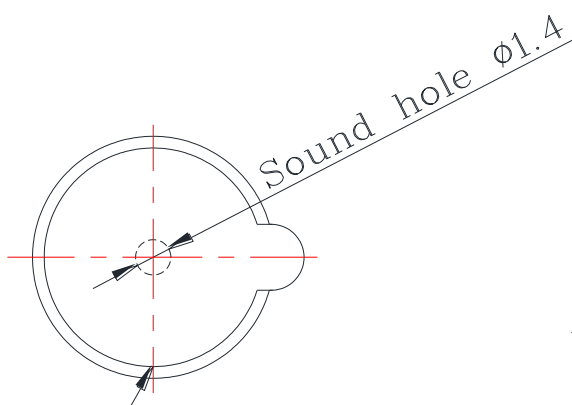


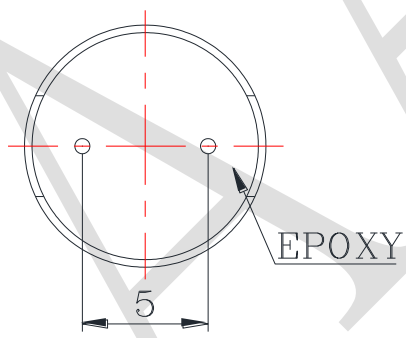
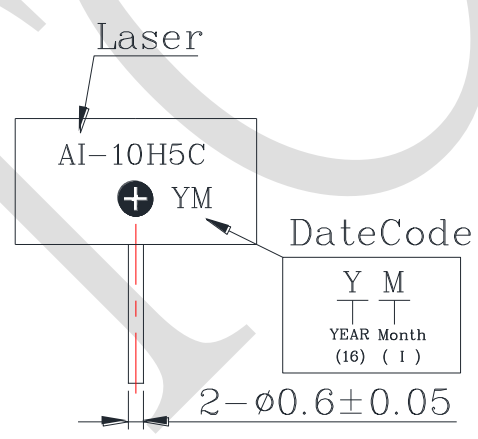
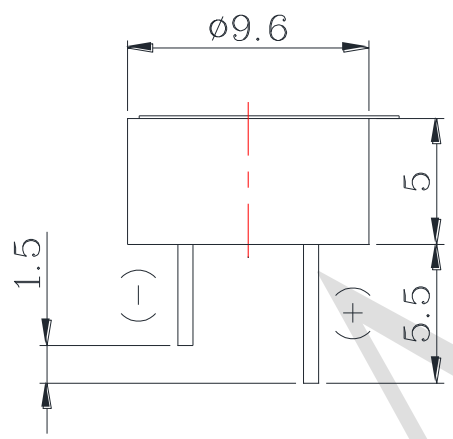
# 1. SPECIFICATION

AI-10H5C

ITEM		UNITS	SPECIFICATIONS	CONDITIONS
01	Rated Voltage	V	5	
02	Operating Voltage	V	3 ~ 7	
03	Consumption Current	mA (Max)	30	Rated Voltage
04	Resonant Frequency	Hz	2700± 300	Rated Voltage
05	Response times	ms	≥ 100	
06	Sound pressure level	dB(A) Min.	80	Distance at 10cm Rated Voltage / Resonant Frequency
07	Operating Temp.	°C	-30~ +70	
08	Storage Temp.	°C	-40 ~ +85	
09	Weight	g	1 ±0.3	



MASKING LABEL      RECOMMEND PCB LAYOUT



RoHS

TITLE: ELECTRO MAGNETIC BUZZER		DRAWN: Zack	2019/12/10	SCALE: 4:1	SHEET: 1 of 1
PART NO. AI-10H5C		DESIGNED: R&D OF AAT	UNITS: mm		
DWG NO. UGCM0905XPIC		CHECKED:	TOLERANCE ± 0.5		
		APPROVAL:	UNLESS OTHERWISE SPECIFIED:		
REV 1		MATERIAL: PBT	ONE PLACE DECIMAL ± ***		
			TWO PLACE DECIMAL ± ***		
			THREE PLACE DECIMAL ± ***		



ADVANCED ACOUSTIC TECHNOLOGY CORPORATION

For more information, please contact AATC.

AATC