

## 1. SPECIFICATION

AK-200810-MM-2

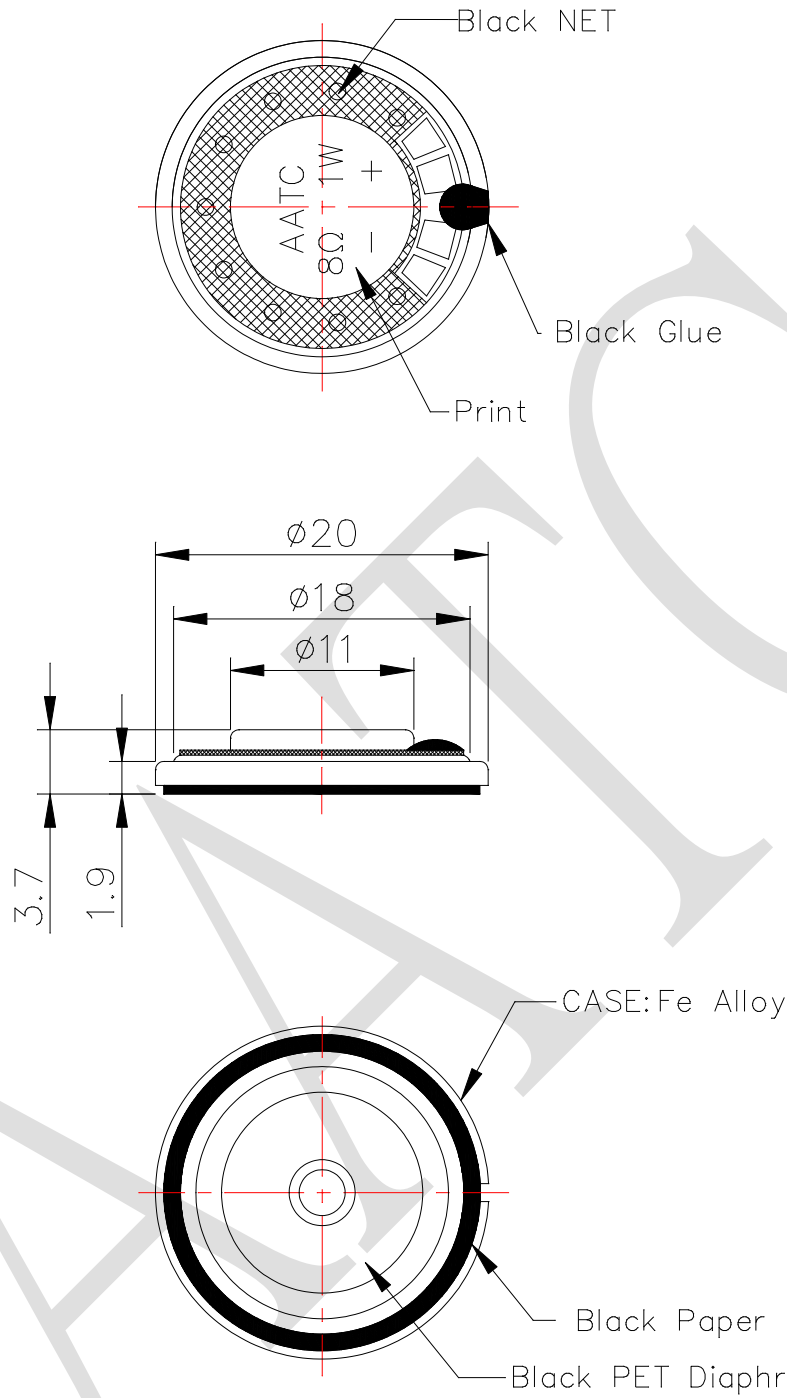
ITEM		SPECIFICATIONS	
01	Type	Dynamic speaker	
02	Dimension	External diameter 20 mm	
03	Rated Input Power	1.0 W	
04	Max. Input Power	1.2 W for 1 minute	
05	Impedance	$8\Omega \pm 15\%$ at 2KHz 1V	
06	Resonance Frequency (Fo)	1100 Hz $\pm$ 20% at Fo, 1V	
07	Sound pressure level	91 dB(0.1W/0.1M) $\pm$ 3 dB	at AVE 1.0, 1.2, 1.5, 1.8 KHz.
		99 dB(1.0W/0.1M) $\pm$ 3 dB	
08	Frequency Range	Fo – 20 K Hz	
09	Total Harmonics Distortion	Max 10 % at 1 KHz, 2.83V.	

REV NO.

REVISION NOTE

APPROVAL

DATE



RoHS

TITLE: DYNAMIC SPEAKER

DRAWN: Sunny 2016-1-8

SCALE: 2:1

SHEET: 1:1

PART NO. AK-200810-MM-2

DESIGNED: R&D OF AAT

UNITS: mm

CHECKED:

TOLERANCE  $\pm 0.5$

APPROVAL:

UNLESS OTHERWISE SPECIFIED:

ONE PLACE DECIMAL  $\pm$  \*\*\*

TWO PLACE DECIMAL  $\pm$  \*\*\*

THREE PLACE DECIMAL  $\pm$  \*\*\*

DWG NO. CA-K16010801

1  
REV

MATERIAL: SPCC



ADVANCED ACOUSTIC TECHNOLOGY CORPORATION

For more information, please contact AATC.

AATC