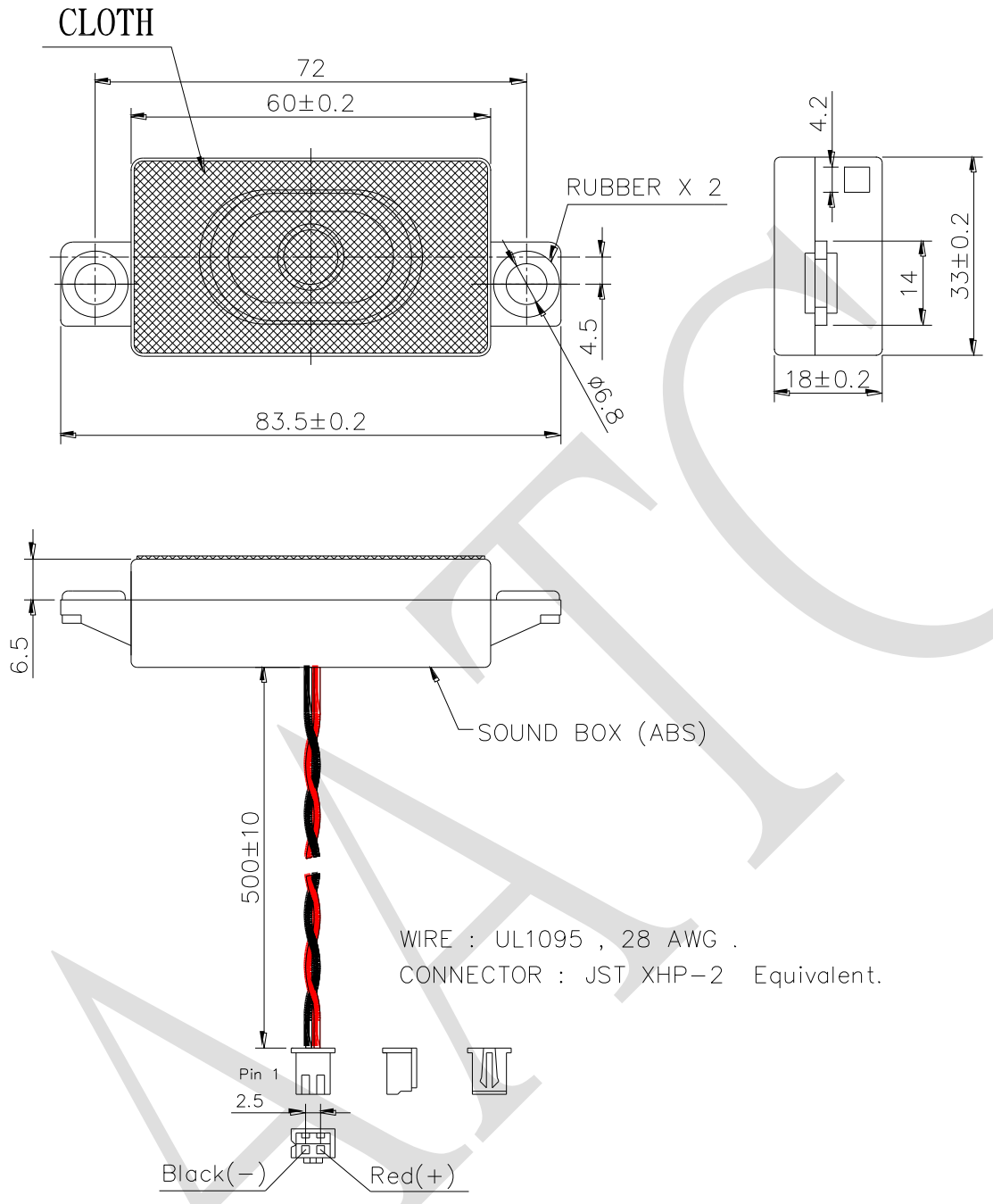


## 1. SPECIFICATION

AK-603308BC-8C3

ITEM		SPECIFICATIONS	
01	Type	Dynamic Speaker + Sound Box	
02	Dimension	External diameter 60 X 33 X 18 mm	
03	Rated Input Power	2.0 W	
04	Max. Input Power	3.0 W for 1 minute	
05	Impedance	$8\Omega \pm 15\%$ at 1.5KHz 1V	
06	Resonance Frequency (Fo)	750 Hz $\pm$ 20% at Fo, 1V	
07	Sensitivity (S.P.L.)	95 dB(2.0W/0.1M) $\pm$ 3 dB	at AVE 1.0, 1.2, 1.5, 1.8 KHz.
08	Frequency Range	Fo – 20 K Hz	
09	Total Harmonics Distortion	Max 10 % at 1 KHz, 1.5V.	

REV NO.	REVISION NOTE	APPROVAL	DATE
---------	---------------	----------	------



RoHS

TITLE: DYNAMIC SPEAKER + SOUND BOX		DRAWN: Zack	2012/9/19	SCALE: 1:1	SHEET: 1 : 1
PART NO. AK-603308BC-8C3	3	DESIGNED: R & D OF AAT		UNITS: mm	
DWG NO. HS-090416		CHECKED:		TOLERANCE ± 0.5	
REV		APPROVAL:		UNLESS OTHERWISE SPECIFIED: ONE PLACE DECIMAL ± *** TWO PLACE DECIMAL ± *** THREE PLACE DECIMAL ± ***	
		MATERIAL: ABS757			



ADVANCED ACOUSTIC TECHNOLOGY CORPORATION

AAFC

For more information, please contact AATC.

AATC