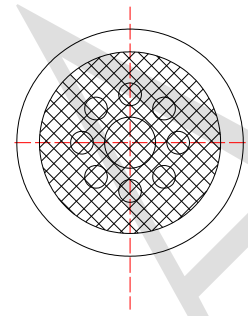
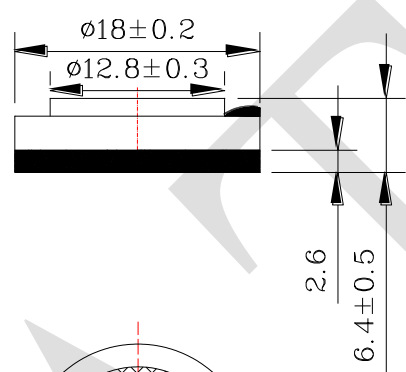
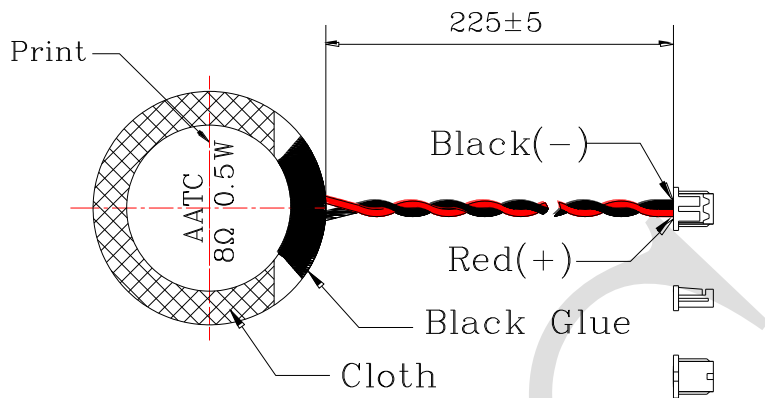


1. SPECIFICATION

AK-180805-PM-2C3

ITEM		SPECIFICATIONS	
01	Type	Dynamic speaker	
02	Dimension	External diameter 18 mm	
03	Rated Input Power	0.5 W	
04	Max. Input Power	1.0 W for 1 minute	
05	Impedance	$8\Omega \pm 15\%$ at 1KHz 1V	
06	Resonance Frequency (Fo)	950 Hz \pm 20% at Fo, 1V	
07	Sound pressure level	92 dB(0.5W/0.1M) \pm 3 dB	at AVE 1.0K,1.2K,1.5,1.8KHz.
08	Frequency Range	Fo -20 K Hz	
09	Total Harmonics Distortion	Max 10 % at 1 KHz, 0.1W	

REV NO.	REVISION NOTE	APPROVAL	DATE
---------	---------------	----------	------



Wire: UL 1571,AWG28#
Connector: Equivalent to Molex 51021-0200

RoHS

TITLE: DYNAMIC SPEAKER		DRAWN: Zack	2019/01/10	SCALE: 2:1	SHEET: 1:1
PART NO. AK-180805-PM-2C3		DESIGNED: R&D OF AAT	UNITS: mm		
DWC NO. CXS18064LP225-R08W0.5-F	2	CHECKED:	TOLERANCE ± 0.5		
		APPROVAL:	UNLESS OTHERWISE SPECIFIED:		
		REV	MATERIAL: PBT	ONE PLACE DECIMAL \pm *** TWO PLACE DECIMAL \pm *** THREE PLACE DECIMAL \pm ***	



ADVANCED ACOUSTIC TECHNOLOGY CORPORATION

For more information, please contact AATC.

AATC