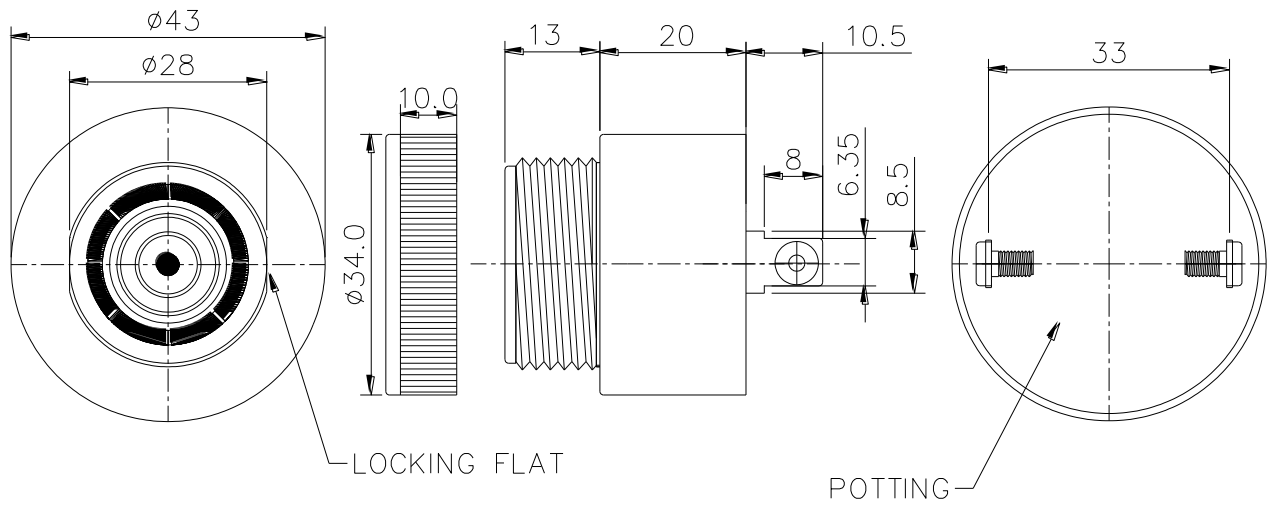


File Name:

AZ-4329S-GJ

Items		Units	Specifications	Conditions
01	Rated Voltage	VDC	12	
02	Operating Voltage	VDC	4~28	
03	Rated Current	mA(Max)	8	At 12 VDC
04	Sound Output At 30 cm	dBA(Min)	78	At 12 VDC
05	Resonant Frequency	Hz	2900±500	
06	Tone Nature	FAST PULSE (3Hz)		
07	Operating Temp.	°C	-20 ~ +60	
08	Storage Temp.	°C	-30 ~ +70	
09	Weight	g	32	

REV NO.	REVISION NOTE	APPROVAL	DATE
---------	---------------	----------	------



TITLE: <i>PIEZO BUZZER</i>		DRAWN: Milton 05/03/2002	SCALE: 1:1	SHEET: 1 of 1
PART NO. <i>AZ-4329S-GJ</i>	1	DESIGNED: <i>R & D OF AAT</i>	UNITS: <i>mm</i>	
DWG NO. <i>DTP-1141</i>		CHECKED:	TOLERANCE ± 0.5 mm	
	REV	APPROVAL:	UNLESS OTHERWISE SPECIFIED:	
		MATERIAL: <i>ABS UL94 1/16" HB</i>	ONE PLACE DECIMAL \pm ***	
			TWO PLACE DECIMAL \pm ***	
			THREE PLACE DECIMAL \pm ***	



苙翔科技股份有限公司
ADVANCED ACOUSTIC TECHNOLOGY CORPORATION

For more information, please contact AATC.