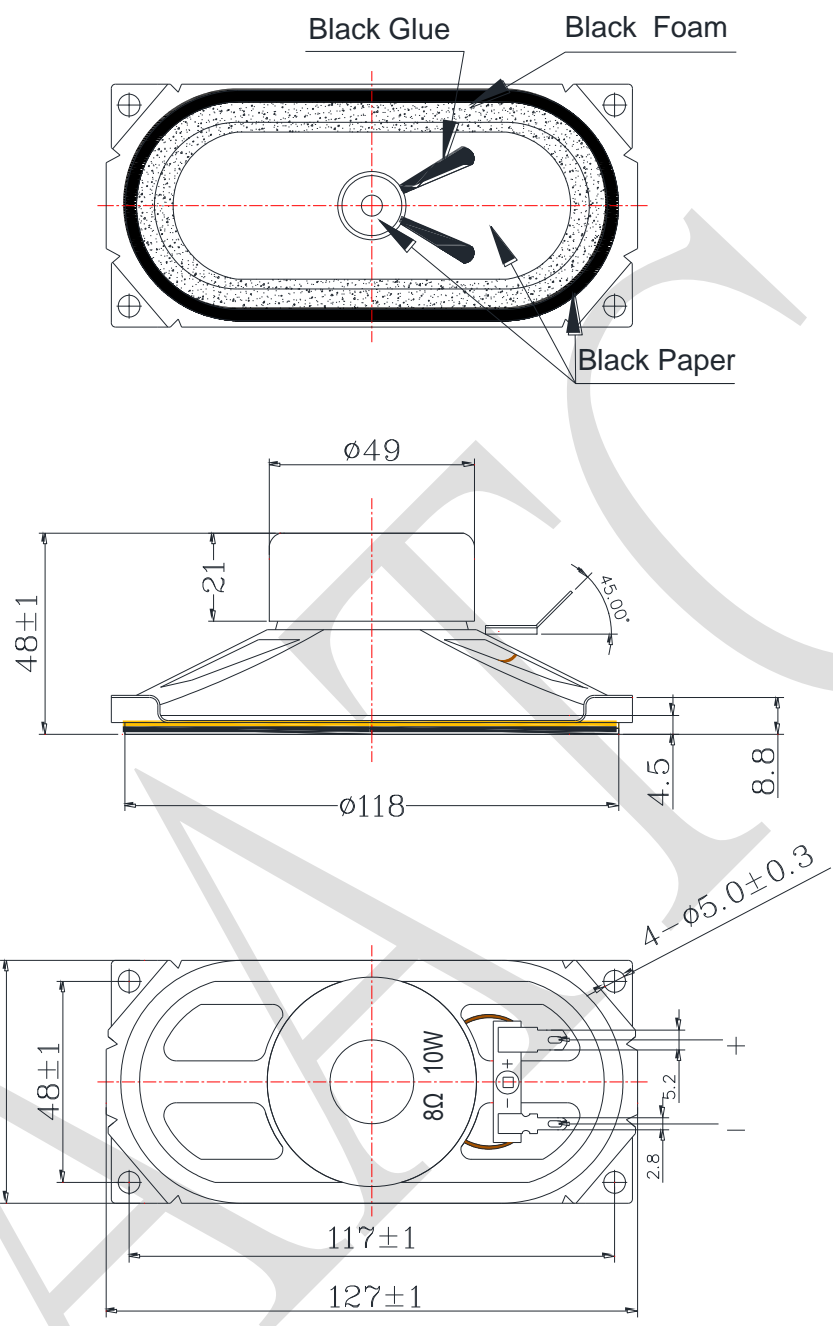


## 1. SPECIFICATION

AK-1275808WC-1

ITEM		SPECIFICATIONS	
01	Type	Dynamic Speaker	
02	Dimension	External diameter 127 x 58 mm	
03	Rated Input Power	10 W	
04	Max. Input Power	15 W for 1 minute	
05	Impedance	$8\Omega \pm 15\%$ at 0.8KHz 1V	
06	Resonance Frequency (Fo)	150 Hz $\pm$ 20% at Fo, 1V	
07	Sound pressure level	96 dB(1.0W/0.1M) $\pm$ 3 dB	at AVE 1.0, 1.2, 1.5, 1.8 KHz.
		92 dB(10W/0.5M) $\pm$ 3 dB	
08	Frequency Range	Fo – 18 K Hz	
09	Total Harmonics Distortion	Max 10 % at 1 KHz 1.5V..	

REV NO.	REVISION NOTE	APPROVAL	DATE
---------	---------------	----------	------



RoHS

TITLE: DYNAMIC SPEAKER		DRAWN: Hank	2020/3/17	SCALE: 2:1	SHEET: 1:1
PART NO. AK-1275808WC-1	2 REV	DESIGNED: R&D OF AAT	UNITS: mm		
DWG NO. TV-58127FMA-R		CHECKED:	TOLERANCE ± 0.5		
		APPROVAL:	UNLESS OTHERWISE SPECIFIED: ONE PLACE DECIMAL ± *** TWO PLACE DECIMAL ± *** THREE PLACE DECIMAL ± ***		
		MATERIAL: IRON			



**ADVANCED ACOUSTIC TECHNOLOGY CORPORATION**

For more information, please contact AATC.

AATC