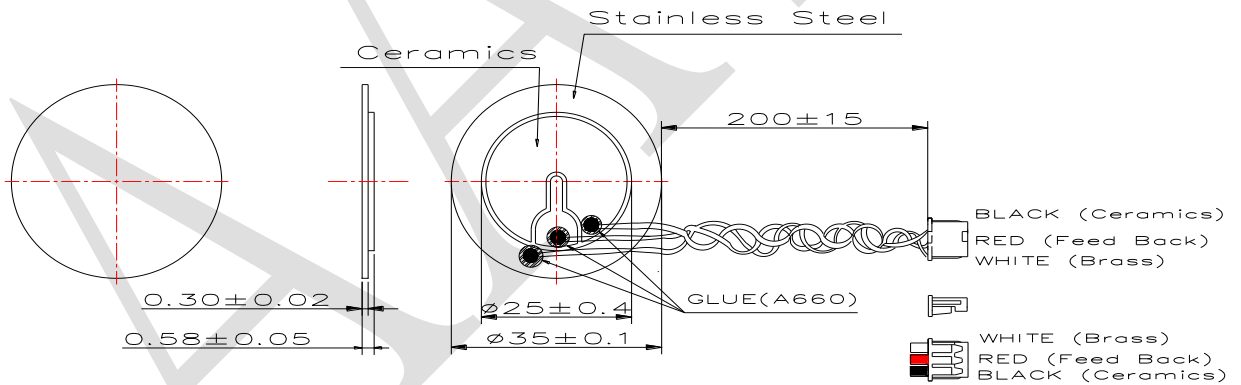


1. SPECIFICATION

AE-3529F-1C1

TYPE		FEED BACK -drive type sound element		
ITEM		UNITS	SPECIFICATIONS	CONDITIONS
01	Input Voltage	V (Max)	30	Vp-p (Square Wave) 1/2 duty
02	Resonant Frequency	KHz	2.9 ± 0.5	The resonant resistance is suitable only for piezo element without wire
03	Resonant Impedance	Ω (Max)	300	The resonant resistance is suitable only for piezo element without wire.
04	Capacitance (C1)	pF	$28000 \pm 30\%$	At 100Hz
	Capacitance (C2)		$4000 \pm 30\%$	
05	Plate Material			Stainless Steel



Unit: mm
 WIRE: UL1571,AWG32#
 Connector: Molex 51021-0300 P=1.25mm/3pin

For more information, please contact AATC.

AATC