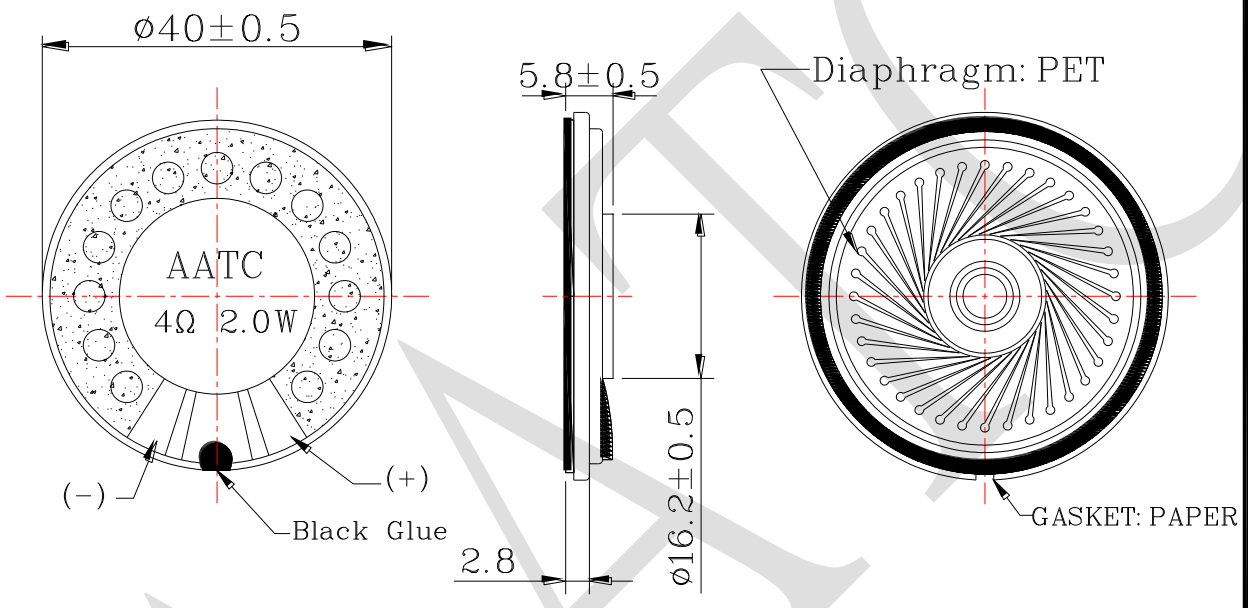


1. SPECIFICATION

AK-400420-MM-1

ITEM		SPECIFICATIONS	
01	Type	Dynamic speaker	
02	Dimension	External diameter 40 mm	
03	Rated Input Power	2.0 W	
04	Max. Input Power	3.0 W for 1 minute	
05	Impedance	$4\Omega \pm 15\%$ at **KHz 1V	
06	Resonance Frequency (Fo)	600 Hz \pm 20% at Fo, 1V	
07	Sound pressure level	$104\text{dB}(2.0\text{W}/0.1\text{M}) \pm 3\text{ dB}$	at AVE 0.8, 1.0, 1.2, 1.4 KHz.
08	Frequency Range	Fo -5K Hz	
09	Total Harmonics Distortion	Max 10 % at 1 KHz, 1.0 W.	

REV NO.	REVISION NOTE	APPROVAL	DATE
---------	---------------	----------	------



RoHS

TITLE: DYNAMIC SPEAKER		DRAWN: Moose	2017/02/14	SCALE: 2:1	SHEET: 1:1
PART NO. AK-400420-MM-1		DESIGNED: R&D OF AAT	UNITS: mm		
DWG NO. CXS40058-R04W2.0-B		CHECKED:	TOLERANCE ± 0.5		
		APPROVAL:	UNLESS OTHERWISE SPECIFIED: ONE PLACE DECIMAL \pm *** TWO PLACE DECIMAL \pm *** THREE PLACE DECIMAL \pm ***		
REV 1		MATERIAL: SPCC			



ADVANCED ACOUSTIC TECHNOLOGY CORPORATION

For more information, please contact AATC.

AATC