

## 1. SPECIFICATION

AK-360810-MM-3C

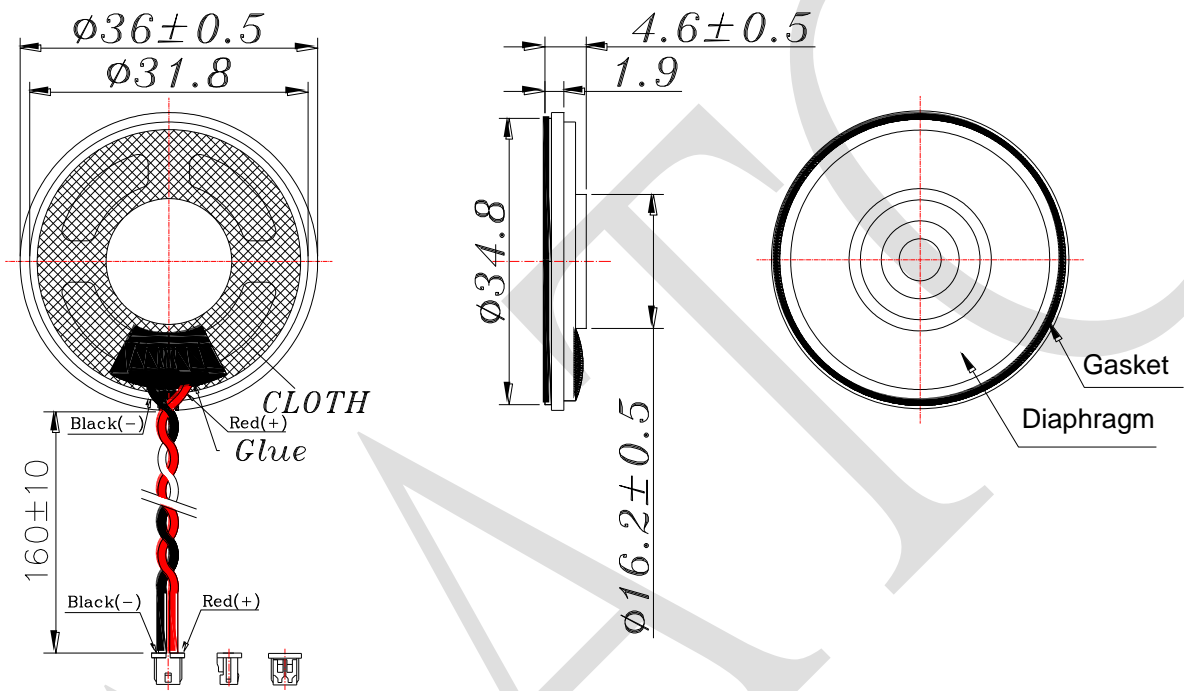
ITEM		SPECIFICATIONS	
01	Type	Dynamic speaker	
02	Dimension	External diameter 36 mm	
03	Rated Input Power	1.0 W	
04	Max. Input Power	1.5 W for 1 minute	
05	Impedance	$8\Omega \pm 15\%$ at 1KHz 1V	
06	Resonance Frequency (Fo)	600 Hz $\pm$ 20% at Fo, 1V	
07	Sound pressure level	98 dB(1.0W/0.1M) $\pm$ 3 dB	at AVE 0.8, 1.0, 1.2, 1.5 KHz.
08	Frequency Range	Fo – 5 K Hz	
09	Total Harmonics Distortion	Max 10 % at 1 KHz, 1.5V.	

REV NO.

REVISION NOTE

APPROVAL

DATE



WIRE: UL1571,AWG28#

CONNECTOR :Equivalent to Molex 51021-0200

RoHS

TITLE: DYNAMIC SPEAKER		DRAWN: Zack	2016/03/09	SCALE: 2:1	SHEET: 1:1
PART NO. AK-360810-MM-3C		DESIGNED: R&D OF AAT	UNITS: mm		
DWG NO. CXS36046LP160-R08W1.0-C		CHECKED:	TOLERANCE $\pm 0.5$		
REV 1		APPROVAL:	UNLESS OTHERWISE SPECIFIED:		
		MATERIAL: SPCC	ONE PLACE DECIMAL $\pm$ ***		
			TWO PLACE DECIMAL $\pm$ ***		
			THREE PLACE DECIMAL $\pm$ ***		



ADVANCED ACOUSTIC TECHNOLOGY CORPORATION

For more information, please contact AATC.

AATC