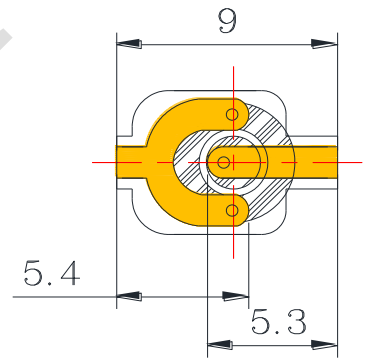
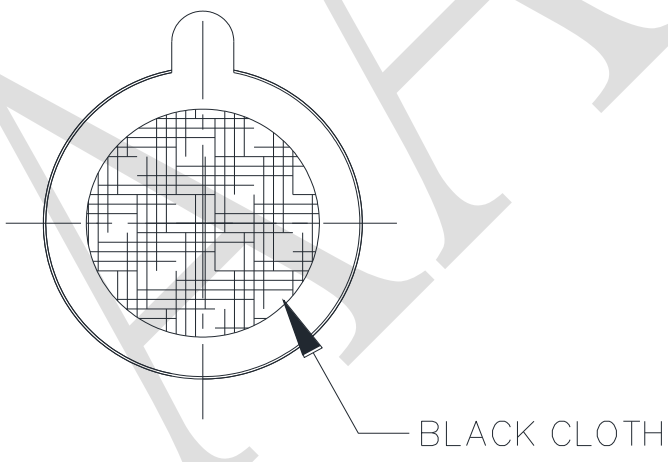
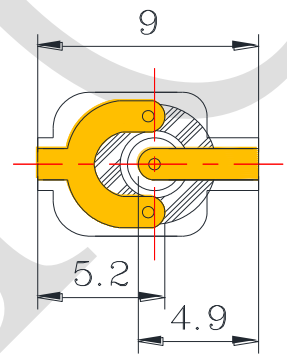
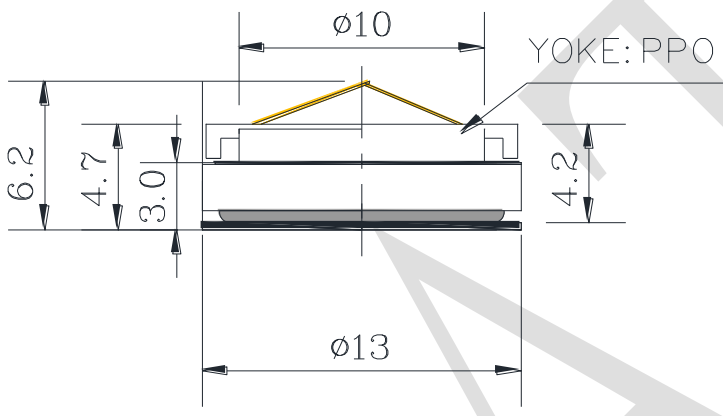
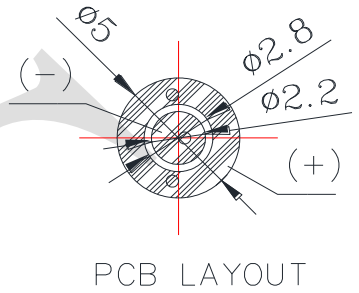
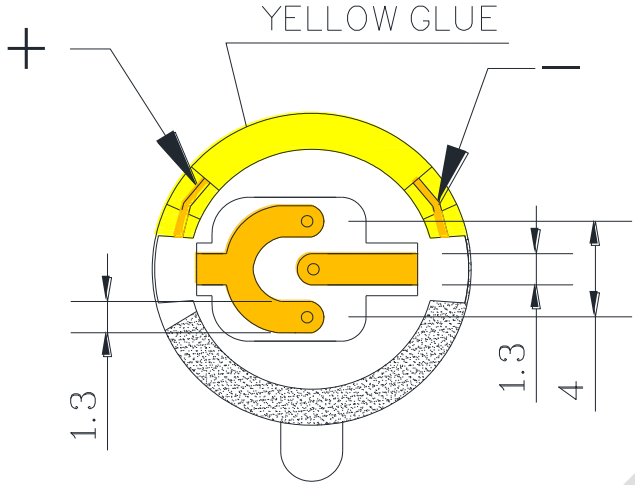


## 1. SPECIFICATION

AR-13130A-1P

ITEM		SPECIFICATIONS
01	Type	Dynamic 13mm receiver unit
02	Sound pressure level	95 dB $\pm$ 3 dB at 1KHz 180mV with IEC318 coupler.
03	Impedance	130 $\Omega$ $\pm$ 15% at 1.0 KHz
04	Frequency Range	100 – 10K Hz
05	Rated Input Power	10 m W
06	Max. Input Power	20 m W
07	Total Harmonics Distortion	Max 10 % at 1 KHz, 10 m W.

REV NO.	REVISION NOTE	APPROVAL	DATE
---------	---------------	----------	------



WORKING

RoHS

TITLE: DYNAMIC RECEIVER		DRAWN: Sunny	2013/12/26	SCALE: 2:1	SHEET: 1:1
PART NO. AR-13130A-1P		DESIGNED: R&D OF AAT	UNITS: mm		
DWG NO. CZ-R2013122601		CHECKED:	TOLERANCE ± 0.5		
		APPROVAL:	UNLESS OTHERWISE SPECIFIED: ONE PLACE DECIMAL ± *** TWO PLACE DECIMAL ± *** THREE PLACE DECIMAL ± ***		
REV	1	MATERIAL: PBT/PET			



ADVANCED ACOUSTIC TECHNOLOGY CORPORATION

For more information, please contact AATC.

AATC