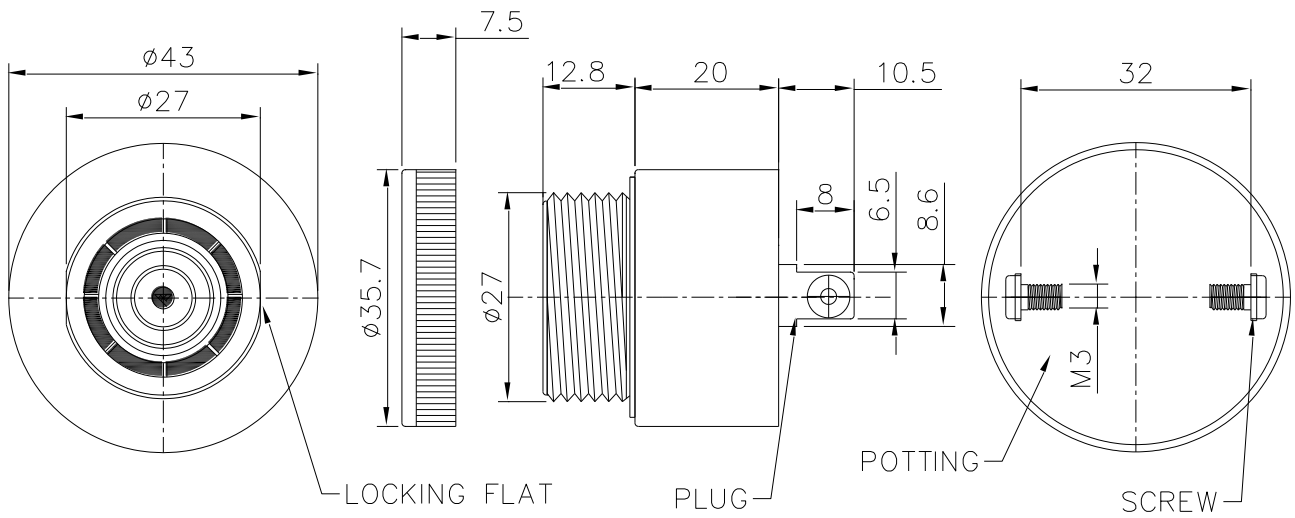


1. Specifications

AZ-4329S-GJB (RoHS)

Items		Units	Specifications	Conditions
01	Rated Voltage	VAC	110	
02	Operating Voltage	VDC / VAC	30 ~ 120	
03	Rated Current	mA(Max)	18	At 110 VAC
04	Sound Output at 30cm	dBA(Min)	80	At 110 VAC
05	Resonant Frequency	Hz	2900±500	
06	Tone Nature	Fast Pulse(3Hz)		
07	Operating Temp.	°C	-20 ~ +60	
08	Storage Temp.	°C	-30 ~ +70	
09	Weight	g	43	



TITLE: <i>PIEZO BUZZER</i>		DRAWN: <i>Jason</i> 2009/06/25	SCALE: 1:1	SHEET: 1 of 1
PART NO. <i>AZ-4329S-GJB</i>		DESIGNED: <i>R & D OF AAT</i>	UNITS: <i>mm</i>	
DWG NO. <i>HS-09062501</i>		CHECKED:	TOLERANCE ± 0.5 mm	
REV <i>1</i>		APPROVAL:	UNLESS OTHERWISE SPECIFIED:	
MATERIAL: <i>Black ABS</i>			ONE PLACE DECIMAL \pm ***	
			TWO PLACE DECIMAL \pm ***	
			THREE PLACE DECIMAL \pm ***	



苙翔科技股份有限公司
ADVANCED ACOUSTIC TECHNOLOGY CORPORATION

For more information, please contact AATC.