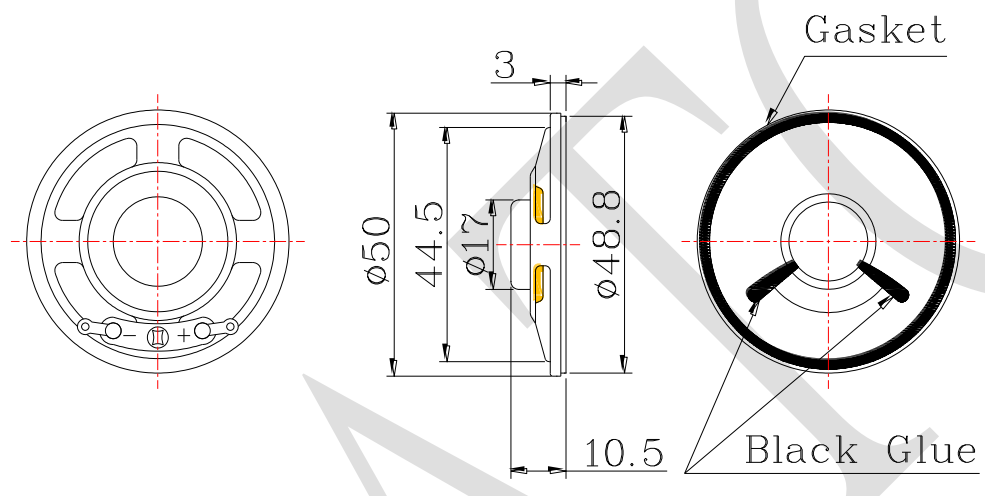


1. SPECIFICATION

AK-5008B-2

ITEM		SPECIFICATIONS	
01	Type	Dynamic speaker	
02	Dimension	External diameter 50 mm	
03	Rated Input Power	0.25 W	
04	Max. Input Power	0.5 W for 1 minute	
05	Impedance	$8\Omega \pm 15\%$ at 0.8KHz 1V	
06	Resonance Frequency (Fo)	650 Hz \pm 20% at Fo, 1V	
07	Sound pressure level	94 dB(0.25W/0.1M) \pm 3 dB	at AVE 0.8, 1.0, 1.2, 1.5 KHz.
08	Frequency Range	Fo – 12 K Hz	
09	Total Harmonics Distortion	Max 10 % at 1 KHz, 0.1W	

REV NO.	REVISION NOTE	APPROVAL	DATE
---------	---------------	----------	------



RoHS

TITLE: DYNAMIC SPEAKER		DRAWN: Zack		2015/03/03	SCALE: 2:1	SHEET: 1:1
PART NO. AK-5008B-2		1	DESIGNED: R&D OF AAT		UNITS: mm	
DWG NO.			CHECKED:		TOLERANCE ± 0.5	
TMS-050CN-1B-R (104021101)			APPROVAL:		UNLESS OTHERWISE SPECIFIED:	
		REV	MATERIAL: *****		ONE PLACE DECIMAL ± ***	
					TWO PLACE DECIMAL ± ***	
					THREE PLACE DECIMAL ± ***	



ADVANCED ACOUSTIC TECHNOLOGY CORPORATION

For more information, please contact AATC.

AATC