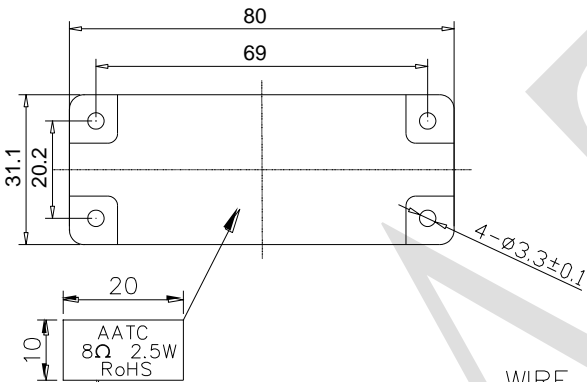
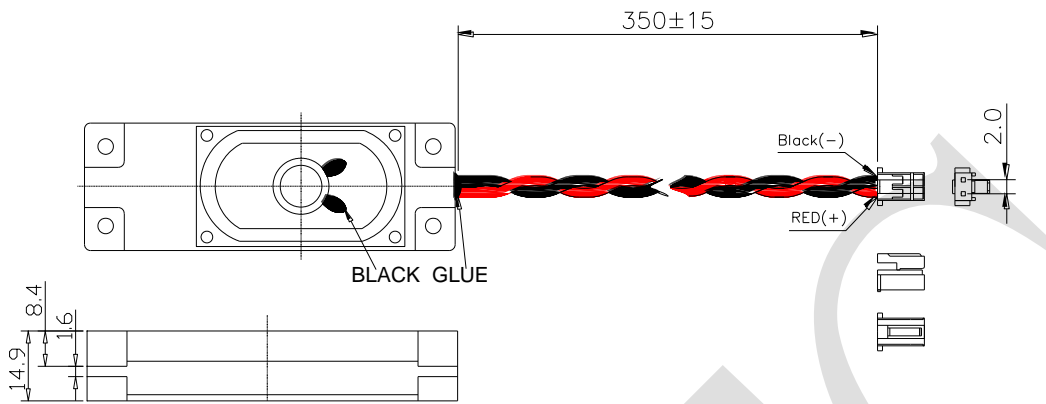


# 1. SPECIFICATION

AKB-80310825-PPC-1C1

ITEM		SPECIFICATIONS	
01	Type	Dynamic Speaker	
02	Dimension	External diameter 80 X 31 mm	
03	Rated Input Power	2.5 W	
04	Max. Input Power	3.0 W for 1 minute	
05	Impedance	$8\Omega \pm 15\%$ at 1.5KHz 1V	
06	Resonance Frequency (Fo)	630 Hz $\pm 20\%$ at Fo, 1V	
07	Sensitivity (S.P.L.)	77 dB(1.0W/1.0M) $\pm 3$ dB	at AVE 1.0, 1.2, 1.6, 2.0 KHz.
		101 dB(2.5W/0.1M) $\pm 3$ dB	
08	Frequency Range	Fo – 9 K Hz	
09	Total Harmonics Distortion	Max 10 % at 1 KHz, 1.5V.	

REV NO.	REVISION NOTE	APPROVAL	DATE
---------	---------------	----------	------



LABEL  
Background: Silver  
Letters: Black

WIRE : UL 1061 ,AWG26#  
CONNECTOR : SMH200-02(PA-2P)

RoHS

TITLE: DYNAMIC SPEAKER		DRAWN: <b>Zack</b>	2018/09/17	SCALE: 1:1	SHEET: 1 : 1
PART NO. AKB-80310825-PPC-1C1		DESIGNED: R & D OF AAT		UNITS: mm	
DWC NO. *****		CHECKED:		TOLERANCE ± 0.5	
		APPROVAL:		UNLESS OTHERWISE SPECIFIED:	
		MATERIAL: ABS		ONE PLACE DECIMAL ± ***	
				TWO PLACE DECIMAL ± ***	
				THREE PLACE DECIMAL ± ***	



ADVANCED ACOUSTIC TECHNOLOGY CORPORATION

For more information, please contact AATC.

AATC