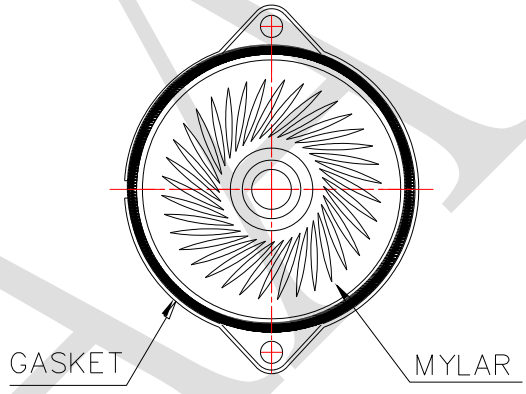
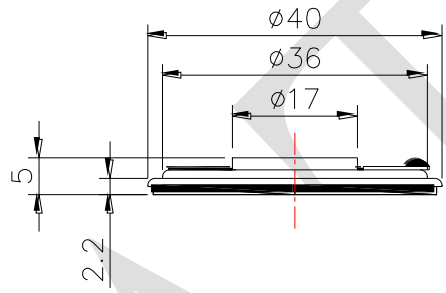
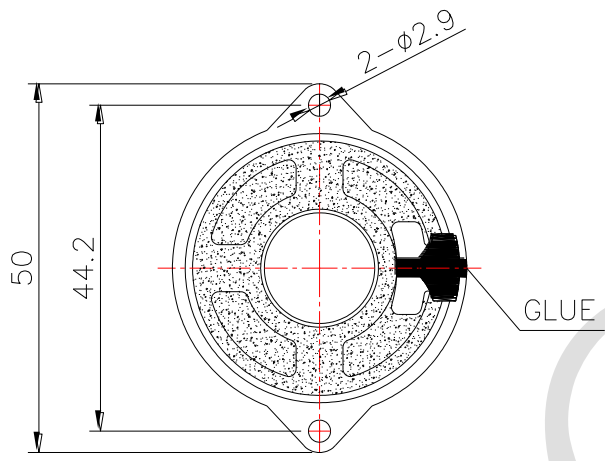


1. SPECIFICATION

AK-4008B-2

ITEM		SPECIFICATIONS	
01	Type	Dynamic speaker	
02	Dimension	External diameter 40 mm	
03	Rated Input Power	1.0 W	
04	Max. Input Power	2.0 W for 1 minute	
05	Impedance	$8 \Omega \pm 15\%$ at 1 KHz 1V	
06	Resonance Frequency (Fo)	560 Hz $\pm 20\%$ at Fo, 1V	
07	Sound pressure level	76 dB(1.0W/1.0M) ± 3 dB	at AVE 1.0, 1.2, 1.5, 1.8 KHz.
		96 dB(1.0W/0.1M) ± 3 dB	
08	Frequency Range	Fo – 6 K Hz	
09	Total Harmonics Distortion	Max 10 % at 1 KHz, 1.5V.	

REV NO.	REVISION NOTE	APPROVAL	DATE
---------	---------------	----------	------



RoHS

TITLE: DYNAMIC SPEAKER		DRAWN: Zack	2013/10/01	SCALE: 2:1	SHEET: 1:1
PART NO. AK-4008B-2		DESIGNED: R&D OF AAT		UNITS: mm	TOLERANCE ± 0.5
DWG NO. TM-040CNE-R (F40M70B)_101092601A		CHECKED:		UNLESS OTHERWISE SPECIFIED:	
		APPROVAL:		ONE PLACE DECIMAL \pm ***	
REV 1		MATERIAL: *****		TWO PLACE DECIMAL \pm ***	
				THREE PLACE DECIMAL \pm ***	



ADVANCED ACOUSTIC TECHNOLOGY CORPORATION

For more information, please contact AATC.

AATC