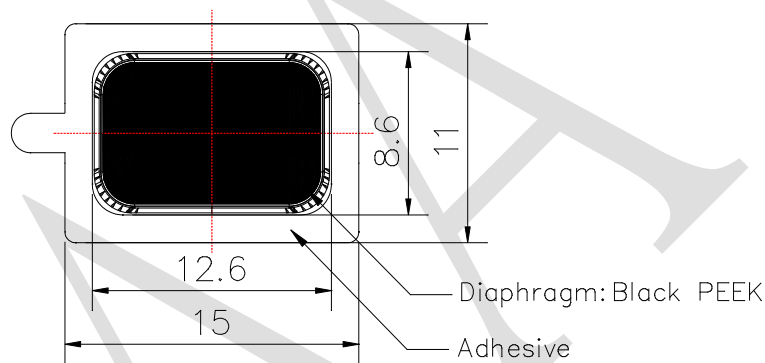
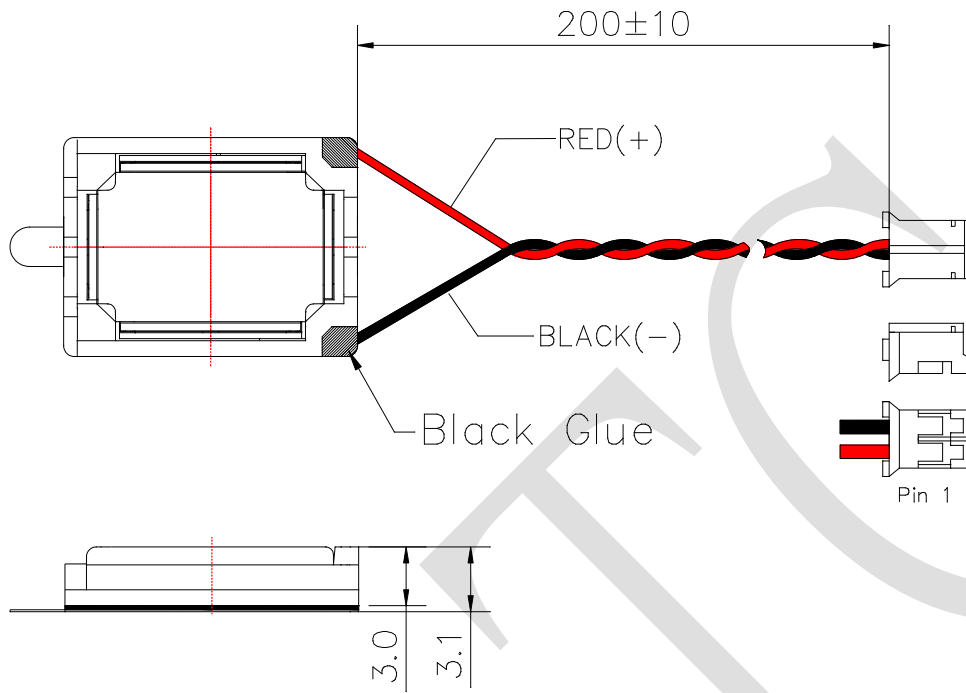


## 1. SPECIFICATION

AKR-15110807-PAM-5CV

ITEM		SPECIFICATIONS	
01	Type	Dynamic Speaker	
02	Dimension	External diameter 15 x 11 mm	
03	Rated Input Power	0.7 W	
04	Max. Input Power	1.0 W for 1 minute	
05	Impedance	$8\Omega \pm 15\%$ at 2 KHz 2V	
06	Resonance Frequency (Fo)	700 Hz $\pm$ 20% at Fo, 1V	
07	Sound pressure level	88 dB(0.7W/0.1M) $\pm$ 3 dB	at AVE 0.8, 1.0, 1.5, 2.0 KHz.
08	Frequency Range	Fo – 20 K Hz	
09	Total Harmonics Distortion	Max 10 % at 1 KHz, 0.89V.	

REV NO.	REVISION NOTE	APPROVAL	DATE
---------	---------------	----------	------



WIRE: UL1007 28#AWG  
 Connector: Equivalent to JST PHR-2

RoHS

TITLE:	DYNAMIC SPEAKER		DRAWN:	Sunny 2018-5-24	SCALE:	1:1	SHEET:	1 : 1
PART NO.	AKR-15110807-PAM-5CV		DESIGNED:	R & D OF AAT	UNITS:	mm		
DWG NO.	UGSP111508-18GC200-02	1 REV	CHECKED:		TOLERANCE ± 0.5			
			APPROVAL:		UNLESS OTHERWISE SPECIFIED:			
			MATERIAL:	PBT+SUS	ONE PLACE DECIMAL ± ***			
					TWO PLACE DECIMAL ± ***			
					THREE PLACE DECIMAL ± ***			



**ADVANCED ACOUSTIC TECHNOLOGY CORPORATION**

For more information, please contact AATC.

AATC