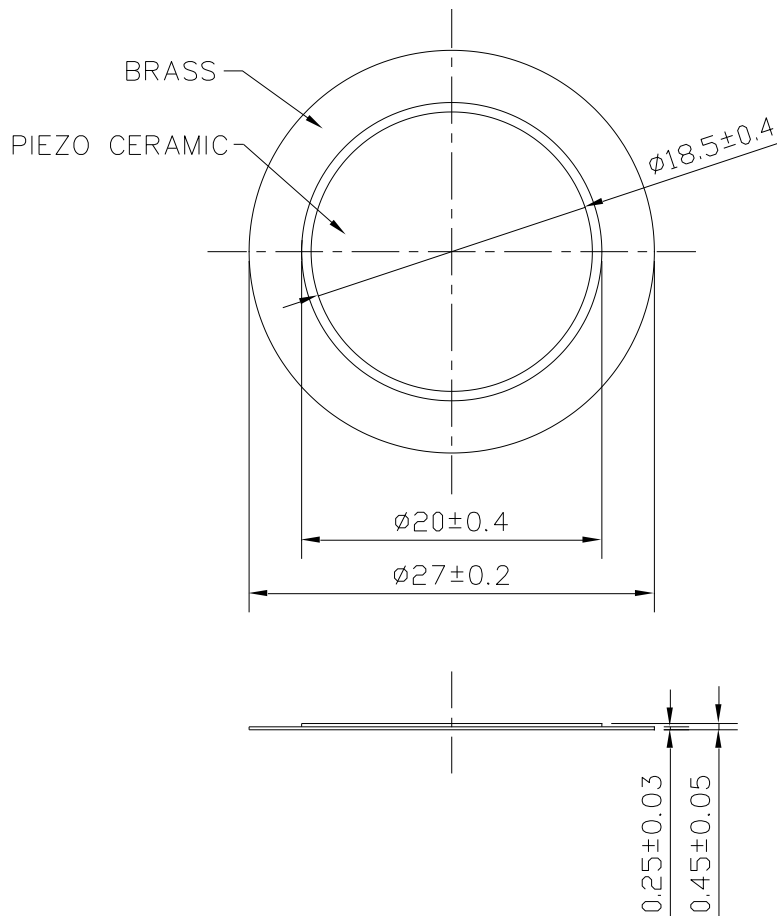


File Name: AE-2746E-N1 (RoHS)

ITEM		CONDITION
01	Type.	External-drive type sound element
02	Resonant Frequency (KHz)	4.6 \pm 0.3 at 25 \pm 2 $^{\circ}$ C , 45~60% RH
03	Resonant Impedance (OHM)	300 Max. at 25 \pm 2 $^{\circ}$ C , 45~60% RH
04	Capacity (PF)	20,000 \pm 30% at 1K Hz 1Vrms
05	Plate Material	BRASS
06	Input Voltage	30Vp-p Max

unit :mm



For more information, please contact AATC.