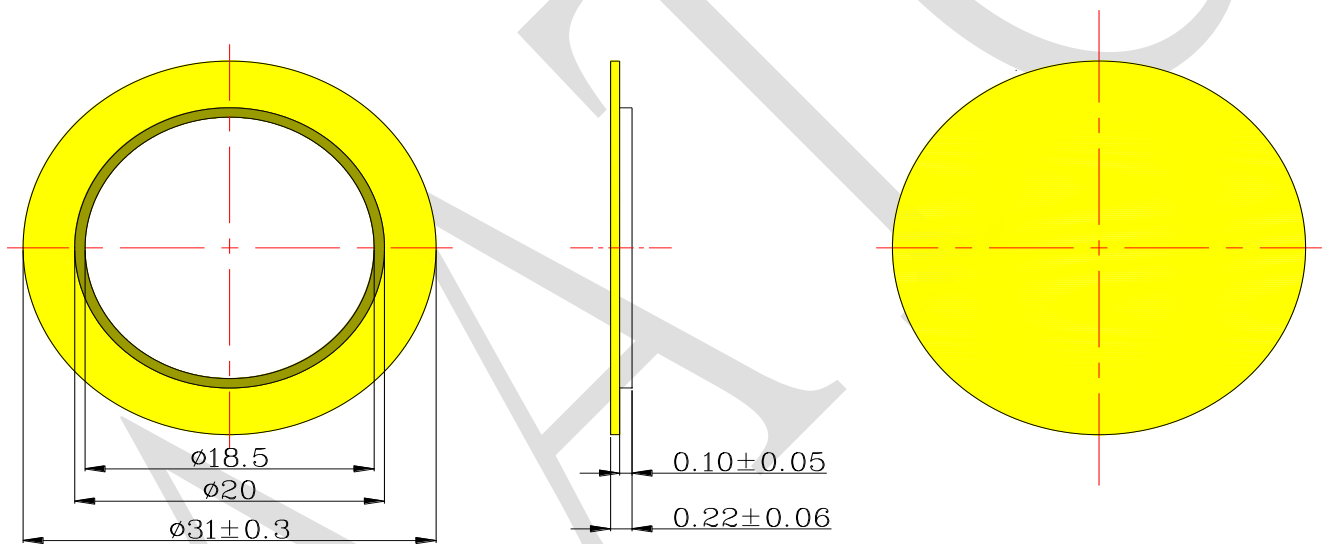


1. SPECIFICATION

AE-3113E-1N

TYPE		EXTERNAL -drive type sound element		
ITEM		UNITS	SPECIFICATIONS	CONDITIONS
01	Input Voltage	V (Max)	15	Vp-p (Square Wave) 1/2 duty
02	Resonant Frequency	KHz	1.3± 0.5	at 25± 2°C , 45~60% RH
03	Resonant Impedance	Ω (Max)	500	at 25± 2°C , 45~60% RH
04	Capacitance	pF	50000±30%	At 100Hz
05	Plate Material			BRASS



UNIT: mm
Toleranced: ± 0.5 mm

For more information, please contact AATC.

AATC