

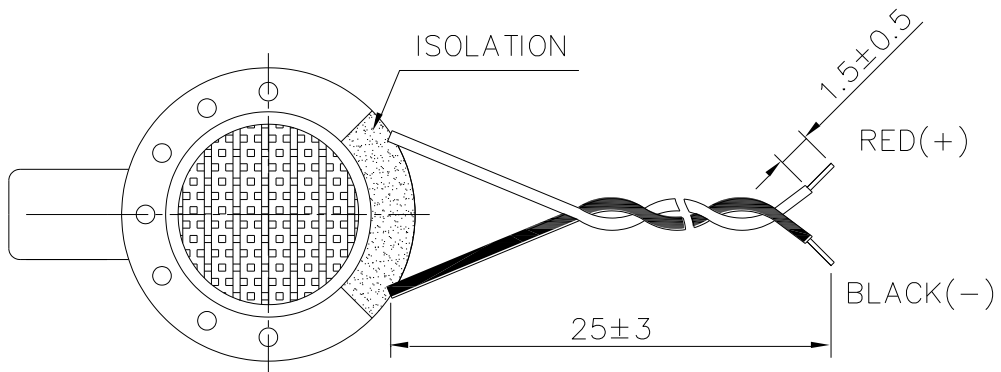
File Name:

## 1. SPECIFICATION

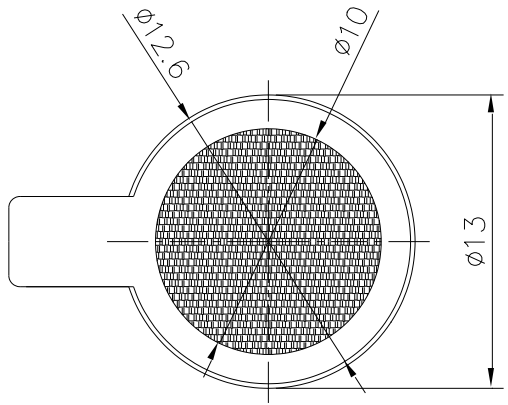
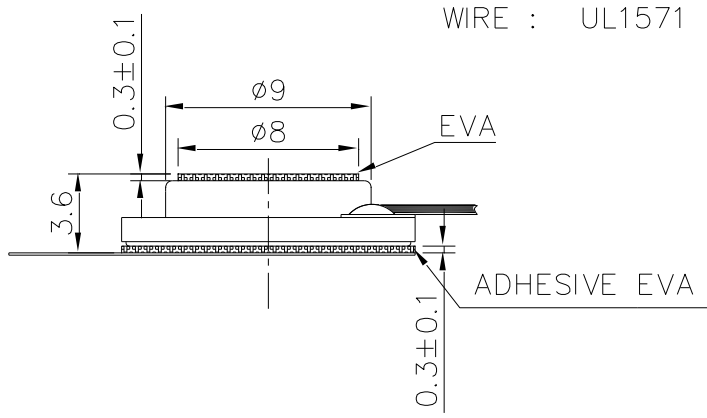
AR-1332DA-21W1-LF

ITEMS.		SPECIFICATIONS
01	Type	Dynamic 13mm receiver unit
02	Sensitivity (S.P.L)	115dB $\pm$ 3 dB at 1kHz 180mV with IEC 318 coupler
03	Impedance.	32 Ohm $\pm$ 15% at 1KHz
04	Magnet Field Intensity.	Axial – dB , Radial –dB at 1KHz
05	Nominal Input Power	10mW
06	Max. Input Power.	Must be normal at a white noise , 26mW( 900mV ) for 1 minute.
07	Total Harmonics Distortion	Max 5 % at 1K Hz.

REV NO.	REVISION NOTE	APPROVAL	DATE
---------	---------------	----------	------



WIRE : UL1571 , AWG32 .



MATERIAL  
HOUSING : METAL  
DIAPHRAGM : PEI

TITLE: DYNAMIC RECEIVER	DRAWN: JOHN	04/22/2005	SCALE: 3:1	SHEET: 1 of 1
PART NO. AR-1332DA-21W1-LF	DESIGNED: R & D OF AAT	CHECKED:	UNITS: mm	TOLERANCE ± 0.2
DWG NO. DTR-1085	APPROVAL:	MATERIAL: *****	UNLESS OTHERWISE SPECIFIED: ONE PLACE DECIMAL ± *** TWO PLACE DECIMAL ± *** THREE PLACE DECIMAL ± ***	
REV	1			



苙翔科技股份有限公司  
ADVANCED ACOUSTIC TECHNOLOGY CORPORATION

For more information, please contact AATC.