

1. SPECIFICATION

AK-402808BC-4C2

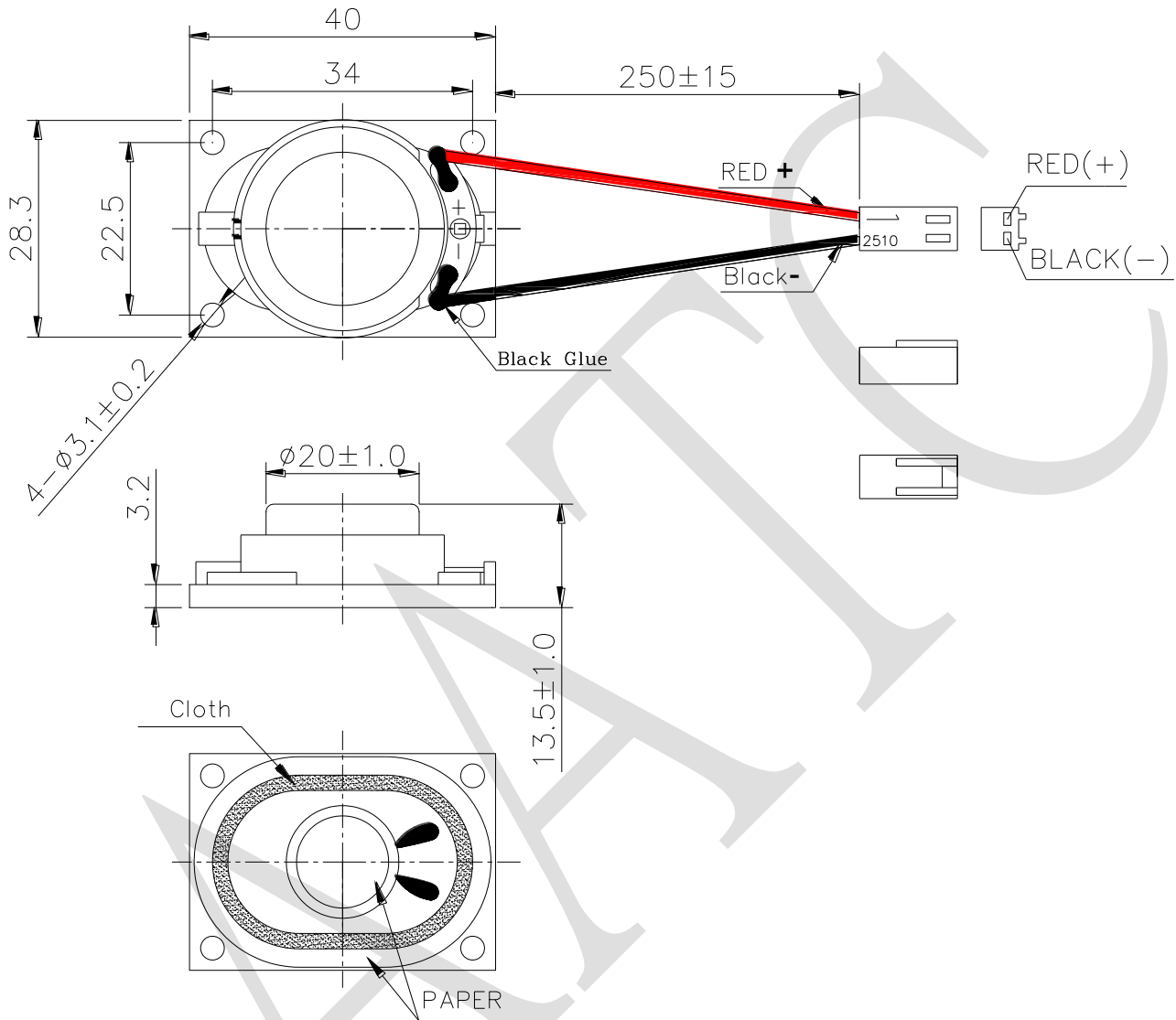
ITEM		SPECIFICATIONS	
01	Type	Dynamic speaker	
02	Dimension	External diameter 40 X 28 mm	
03	Rated Input Power	2.0 W	
04	Max. Input Power	4.0 W for 1 minute	
05	Impedance	$8\Omega \pm 15\%$ at 1.0KHz 1V	
06	Resonance Frequency (Fo)	500 Hz \pm 20% at Fo, 1V	
07	Sensitivity (S.P.L.)	93 dB(1.0W/0.1M) \pm 3 dB	at AVE 0.8, 1.0, 1.2, 1.5 KHz.
		97 dB(2.0W/0.1M) \pm 3 dB	
08	Frequency Range	Fo – 20 K Hz	
09	Total Harmonics Distortion	Max 10 % at 1 KHz, 1.5V.	

REV NO.

REVISION NOTE

APPROVAL

DATE



WIRE : UL 1007 , 28 AWG VW-1.
 TERMINAL: Equivalent to I25004PS-2
 HOUSING : Equivalent to P2-I25004.

RoHS

TITLE: DYNAMIC SPEAKER		DRAWN: Zack	2015/06/03	SCALE: 1:1	SHEET: 1 of 1
PART NO. AK-402808BC-4C2		DESIGNED: R & D OF AAT	CHECKED:	UNITS: mm	TOLERANCE ± 0.5
DWG NO. YGDA3040E-8WC250		APPROVAL:	MATERIAL: ABS+SPCC	UNLESS OTHERWISE SPECIFIED: ONE PLACE DECIMAL ± *** TWO PLACE DECIMAL ± *** THREE PLACE DECIMAL ± ***	
REV 1					



ADVANCED ACOUSTIC TECHNOLOGY CORPORATION

For more information, please contact AATC.

AATC