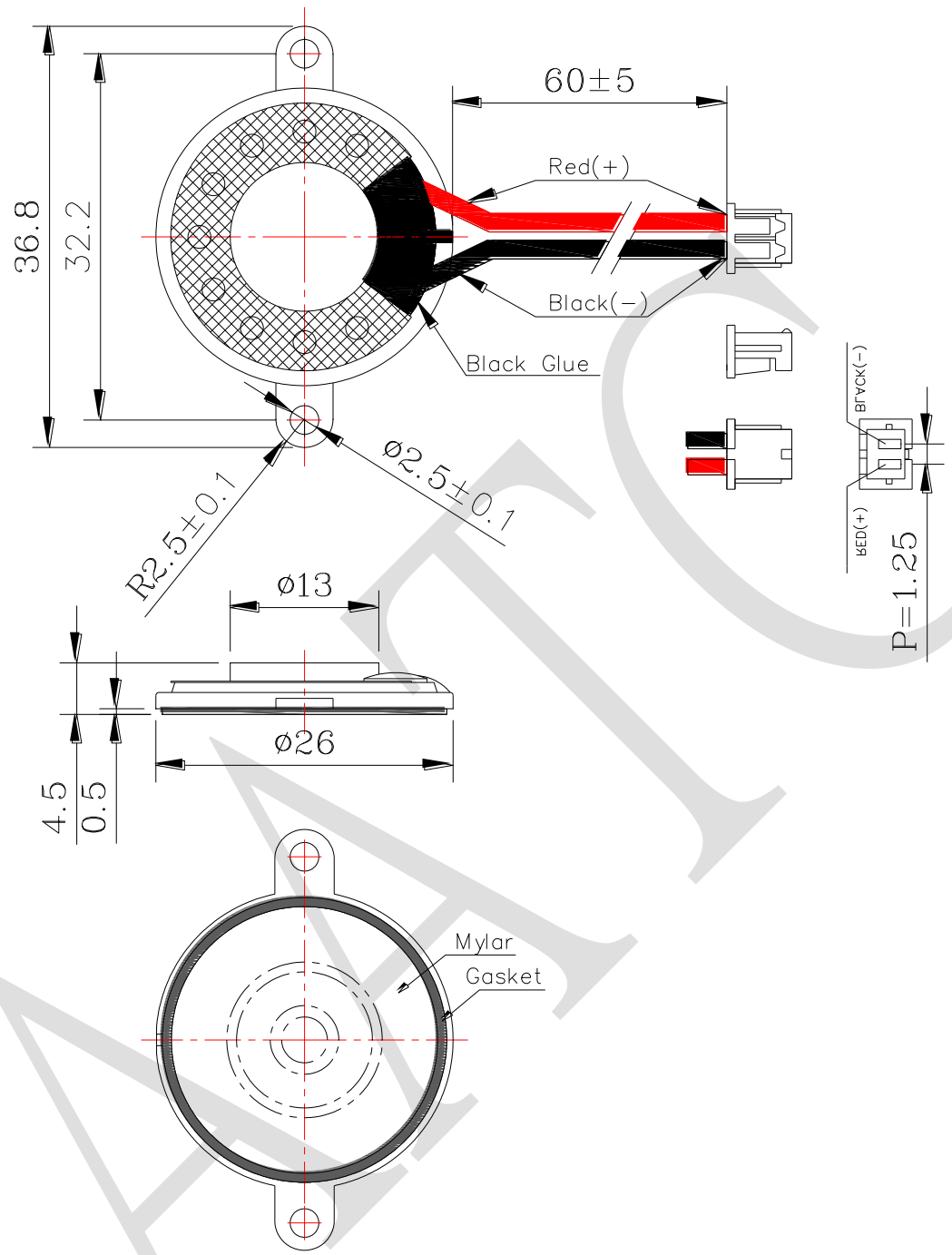


# 1. SPECIFICATION

AK-2608AB-4C1

ITEM		SPECIFICATIONS	
01	Type	Dynamic speaker	
02	Dimension	External diameter 26 mm	
03	Rated Input Power	0.5 W	
04	Max. Input Power	0.6 W for 1 minute	
05	Impedance	$8 \Omega \pm 15\%$ at 2 KHz 1V	
06	Resonance Frequency (Fo)	660 Hz $\pm 20\%$ at Fo, 1V	
07	Sound pressure level	81 dB(W/M) $\pm 3$ dB	at AVE 0.8, 1.0, 1.2, 1.5 KHz.
		97 dB(0.5W/0.1M) $\pm 3$ dB	
08	Frequency Range	Fo – 5.5 K Hz	
09	Total Harmonics Distortion	Max 10 % at 1 KHz, 1.5V.	

REV NO.	REVISION NOTE	APPROVAL	DATE
---------	---------------	----------	------



WIRE: UL1571,28AWG  
 Connector: Equivalent to Molex 51021-0200

RoHS

TITLE: DYNAMIC SPEAKER		DRAWN: Zack	2015/03/20	SCALE: 2:1	SHEET: 1:1
PART NO. AK-2608AB-4C1		DESIGNED: R&D OF AAT	UNITS: mm		
DWG NO. UGS2608-04WC66		CHECKED:	TOLERANCE ± 0.5		
		APPROVAL:	UNLESS OTHERWISE SPECIFIED:		
REV 2		MATERIAL: *****	ONE PLACE DECIMAL ± ***		
			TWO PLACE DECIMAL ± ***		
			THREE PLACE DECIMAL ± ***		



**ADVANCED ACOUSTIC TECHNOLOGY CORPORATION**

For more information, please contact AATC.

AATC