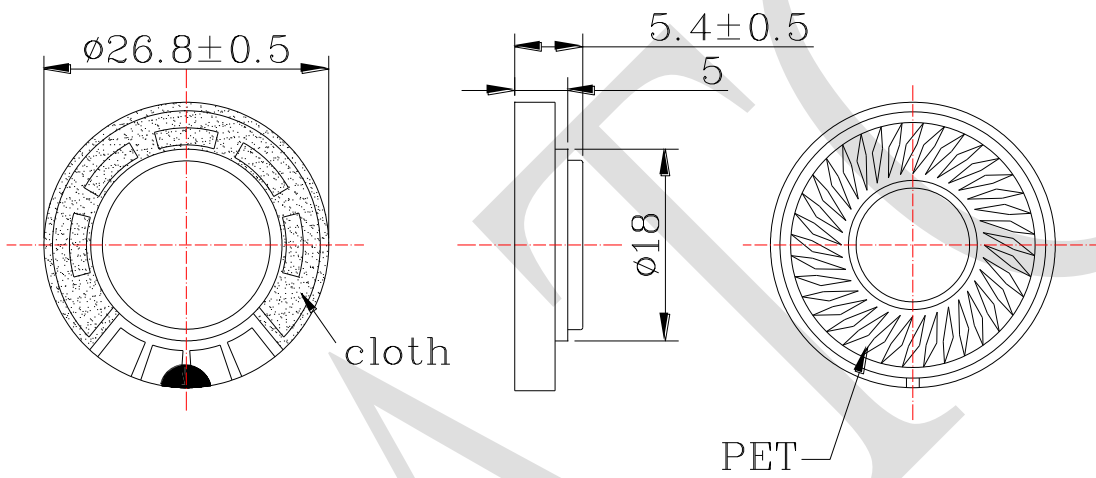


1. SPECIFICATION

AR-2732-PM-1

	ITEM	UNIT	SPECIFICATIONS	CONDITION
01	Dimension 尺寸	mm	Φ 27	Refer to attached drawing in details.
02	Input power 輸入功率	mW	30	White noise is applied for 96 hours.
03	Max. Input power 額定輸入最大功率	mW	Max. 50	at room temperature for 60s on and 120s off for 10 cycles.
04	Impedance 交流阻抗	Ω	$32 \pm 15\%$	at 1KHz /1V.
05	S.P.L 音壓位準 Sound pressure level	dB	120 ± 3	at 1KHz 179mV /1mW with IEC318 coupler.
06	Frequency range 有效頻寬	Hz	300~3.4K	
07	T.H.D 總諧波失真 Total Harmonics Distortion	%	Max. 5	at 1KHz 56mV / Input power.

REV NO.	REVISION NOTE	APPROVAL	DATE
---------	---------------	----------	------



RoHS

TITLE: DYNAMIC RECEIVER		DRAWN: Zack	2019/03/13	SCALE: 2:1	SHEET: 1:1
PART NO. AR-2732-PM-1	1 REV	DESIGNED: R&D OF AAT		UNITS: mm	TOLERANCE ± 0.5
DWG NO CXR27054-R32-B1		CHECKED:		UNLESS OTHERWISE SPECIFIED: ONE PLACE DECIMAL ± *** TWO PLACE DECIMAL ± *** THREE PLACE DECIMAL ± ***	
		APPROVAL:	MATERIAL: PPO		



ADVANCED ACOUSTIC TECHNOLOGY CORPORATION

For more information, please contact AATC.

AATC