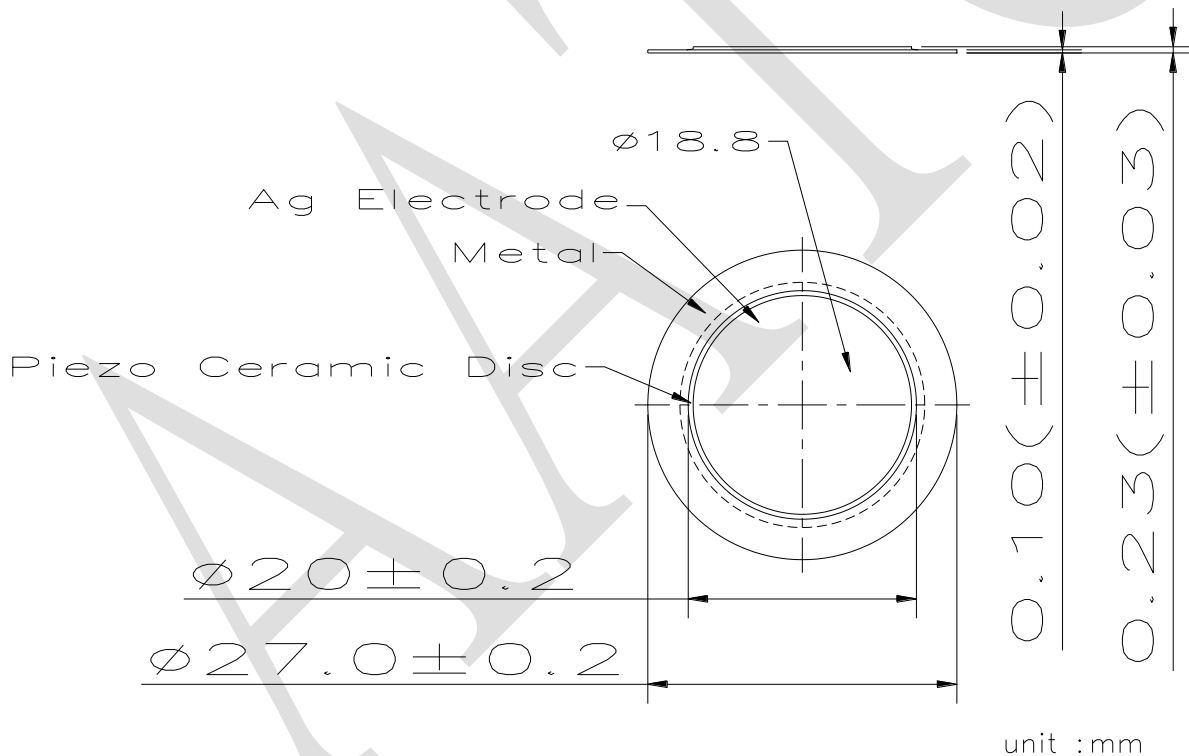


# 1. SPECIFICATION

AE-2720E-N

TYPE		EXTERNAL -drive type sound element		
ITEM		UNITS	SPECIFICATIONS	CONDITIONS
01	Input Voltage	V (Max)	30	Vp-p (Square Wave) 1/2 duty
02	Resonant Frequency	KHz	2.0 ± 0.5	at 25± 2°C, 45~60% RH
03	Resonant Impedance	Ω (Max)	800	at 25± 2°C, 45~60% RH
04	Capacitance	pF	45000±30%	At 1K Hz
05	Plate Material			BRASS



For more information, please contact AATC.

AATC